

# INSTALLATION MANUAL

## VISUAL PERFORMANCE® SERIES IN-WALL & IN-CEILING WOOFERS



### Introduction

Thank you for purchasing a Sonance Visual Performance® Series Woofer. When properly installed your new woofer will improve the bass performance of your entertainment system.

#### **SAFETY WARNING:**

THESE WOOFERS HAVE FASTMOUNT® TABS THAT PREVENT THE WOOFER FROM FALLING OUT OF THE MOUNTING HOLE DURING THE INSTALLATION PROCESS.

**THE EDGES OF THE FASTMOUNT TABS ARE VERY SHARP. USE CAUTION WHEN HANDLING THE WOOFER.**

### Box Contents

Each Sonance Visual Performance Series Woofer box contains (1) Visual Performance Series Woofer, (1) paint plug (installed on the front of the woofer), (1) paintable grille and (1) mounting cutout template.

### Before You Begin

All Visual Performance Series Woofers are intended to be used with the Sonamp® A800 Subwoofer Amplifier (available separately). The A800 features adjustments that allow for proper setting of the crossover frequency between the woofer and the system's other speakers, and for setting the woofer's phase and volume.

### Woofer Placement

#### **In-Wall**

For the highest output and best overall performance, in-wall woofers should be placed on the same wall as the system's left and right speakers, in one of the corners.

**IMPORTANT:** The Woofer should NOT be mounted in the same stud bay as any of the system's other speakers.

Use *Figure 1* as a guide.

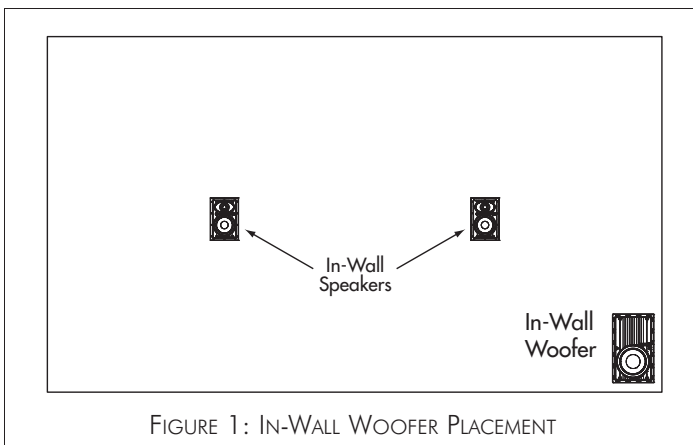


FIGURE 1: IN-WALL WOOFER PLACEMENT

#### **In-Ceiling**

For the highest output and best overall performance, in-ceiling woofers should be placed in one of the ceiling's corners.

**IMPORTANT:** The Woofer should NOT be mounted in the same ceiling bay as any of the system's other speakers.

Use *Figure 2* as a guide.

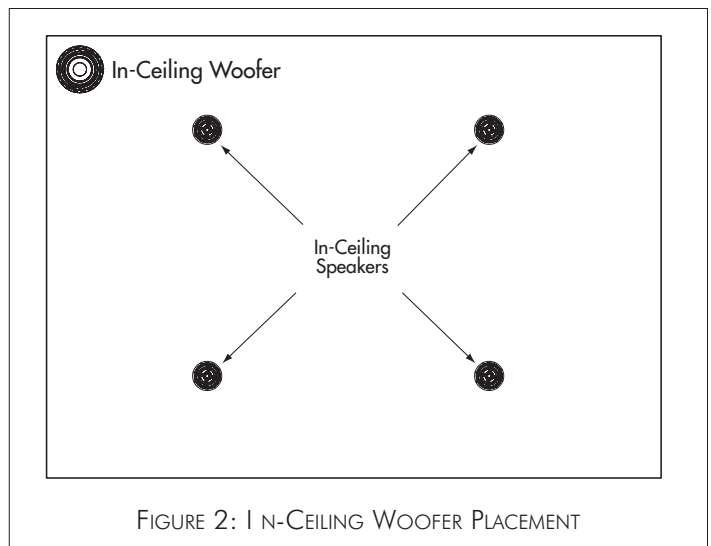


FIGURE 2: IN-CEILING WOOFER PLACEMENT

### Before Installing the Woofer

1. Determine the location for the woofer (see *Woofer Placement*).
2. Perform an obstruction survey to be certain that there are no studs, conduit, pipes, heating ducts, pocket doors or air returns in the cavity that will interfere with the woofer.
3. **Mounting space requirements:**
  - Rectangle woofers: 8½" x 14½" (216mm x 368mm) cut-out; 3⅞" (98mm) mounting depth.
  - Round woofers: 10⅛" (257mm) diameter cut-out; 5⅞" (149mm) mounting depth.
  - Square woofers: 10¼" x 10¼" (260mm x 260mm) cut-out; 5⅞" (149mm) mounting depth.
4. Position the included cut-out template where the woofer is to be located and pencil an outline on the wall or ceiling.
  - If you are unsure about obstructions, drill a small hole in the center of the outline and insert a coat hanger wire into the hole to feel-around for possible obstructions.
5. Cut the mounting hole using a keyhole or drywall saw, and run the speaker wires from the mounting hole to the amplifier location.

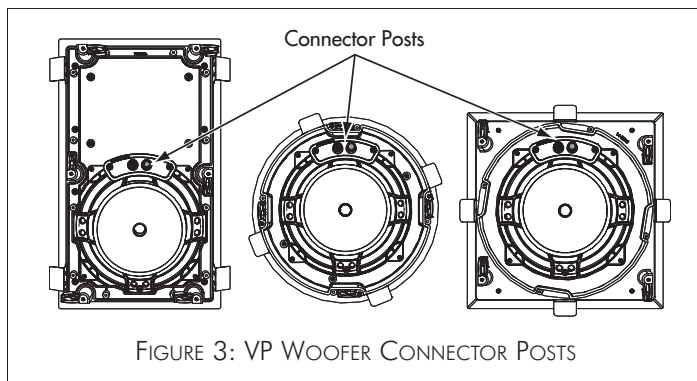
NOTE: CONSULT LOCAL BUILDING CODES BEFORE RUNNING SPEAKER WIRES THROUGH WALLS OR CEILINGS.

## Installing the Woofer

Sonance Visual Performance Series Woofers feature exclusive FastMount tabs and an integral Roto-Lock® mounting system for quick mounting directly into existing ceilings.

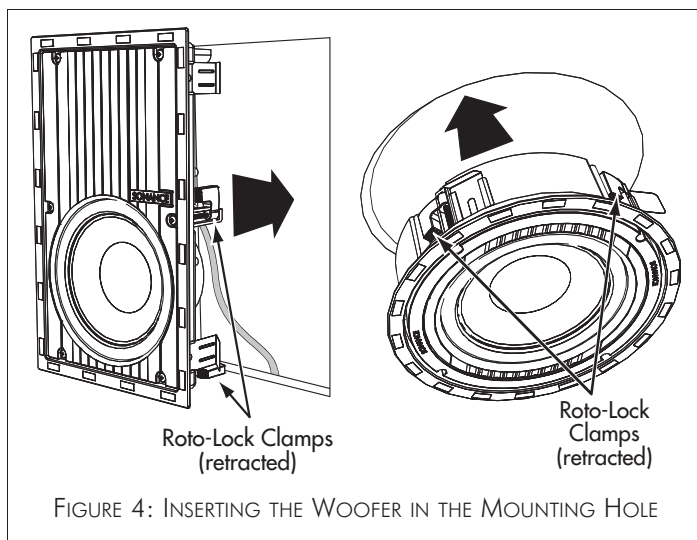
**WARNING: THE EDGES OF THE FASTMOUNT TABS ARE VERY SHARP. USE CAUTION WHEN HANDLING THE WOOFER.**

1. Remove the paint plug from the woofer.
2. Strip  $\frac{1}{4}$ " –  $\frac{1}{2}$ " (6mm – 12mm) of insulation from each lead of the speaker wire. Twist the strands or tin the exposed wire with solder to ensure that there are no stray strands. (Stray strands that touch each other can cause a short-circuit that can damage the amplifier.)
3. The woofer's connector posts are spring-loaded. Push the top of each connector post down to open the connector and insert the exposed wires into the holes in the posts (see Figure 3)

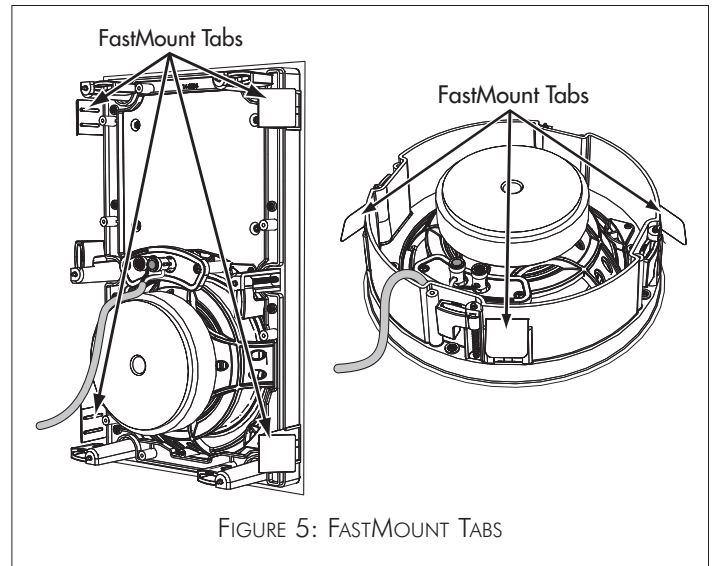


The woofer's positive post is labeled with a red dot; the negative post is labeled with a black dot. Double-check that you connected amplifier "+" to woofer "+" and amplifier "-" to woofer "-".

4. Make sure all the Roto-Lock clamps are retracted so that they are tucked within the mounting hole's border. Insert the woofer into the hole in the wall or ceiling (Figure 4). The Roto-Lock system can accommodate a maximum wall or ceiling material thickness of  $1\frac{1}{4}$ " (32mm).

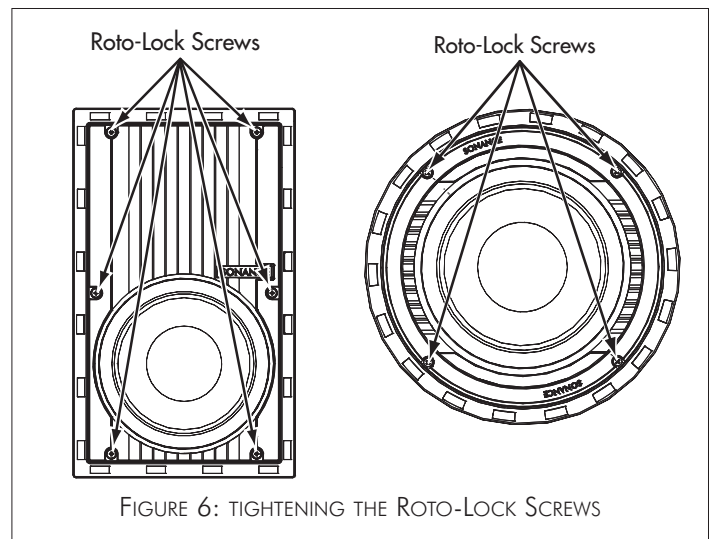


The FastMount tabs will prevent the woofer from falling out of the mounting hole, allowing the installer to let go of the woofer to pick-up tools or other items (Figure 5).



NOTE: THE FASTMOUNT TABS ARE DESIGNED FOR ONE-TIME USE ONLY. IF THE WOOFER IS REMOVED FROM THE MOUNTING HOLE THE FASTMOUNT TABS WILL DISCONNECT AND REMAIN INSIDE THE WALL OR CEILING.

5. Tighten the screws on the front of the woofer baffle. The Roto-Lock clamps will automatically rotate into position and begin clamping the woofer (Figure 6).



When you notice resistance on the screws the woofer has been clamped successfully.

**IMPORTANT: ALWAYS USE LOW-TORQUE SETTINGS; NEVER OVER-TIGHTEN.**

NOTE: ADJUSTING THE TENSION OF THE ROTO-LOCK CLAMPS SO THAT THE WOOFER FRAME IS FLAT WILL HELP ENSURE THAT THE GRILLE CONTACTS THE WALL OR CEILING ALL THE WAY AROUND THE WOOFER FOR A PROPER FIT.

## SONANCE VISUAL PERFORMANCE® WOOFERS

- The micro-trim grille is held in place by several small, powerful magnets on the woofer frame. Place the grille against the woofer and the magnets will hold it firmly in place (see *Figure 7*). When the woofer is properly installed, the grille trim should make contact with the wall or ceiling all the way around the woofer.

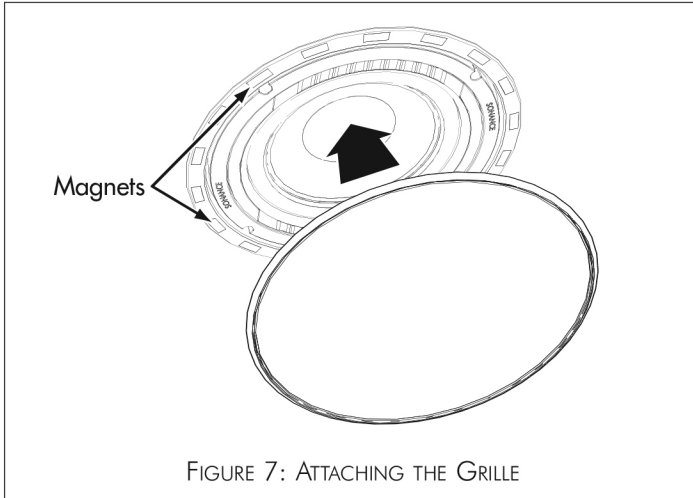


FIGURE 7: ATTACHING THE GRILLE

### Painting the Grilles

See the accompanying *Painting Instructions* sheet for painting instructions.

## LIMITED LIFETIME WARRANTY

Sonance warrants to the first end-user purchaser that this Sonance-brand product ("Product"), when purchased from an authorized Sonance Dealer/Distributor, will be free from defective workmanship and materials for the life of the Product, except for the grille, which is warranted for five (5) years. Sonance will at its option and expense either repair the defect or replace the Product with a new or remanufactured Product or a reasonable equivalent.

## EXCLUSIONS

TO THE EXTENT PERMITTED BY LAW, THE WARRANTY SET FORTH ABOVE IS IN LIEU OF, AND EXCLUSIVE OF, ALL OTHER WARRANTIES, EXPRESS OR IMPLIED, AND IS THE SOLE AND EXCLUSIVE WARRANTY PROVIDED BY SONANCE. ALL OTHER EXPRESS AND IMPLIED WARRANTIES, INCLUDING THE IMPLIED WARRANTIES OF MERCHANTABILITY, IMPLIED WARRANTY OF FITNESS FOR USE, AND IMPLIED WARRANTY OF FITNESS FOR A PARTICULAR PURPOSE ARE SPECIFICALLY EXCLUDED. No one is authorized to make or modify any warranties on behalf of Sonance.

The warranty stated above is the sole and exclusive remedy and Sonance's performance shall constitute full and final satisfaction of all obligations, liabilities and claims with respect to the Product. IN ANY EVENT, SONANCE SHALL NOT BE LIABLE FOR CONSEQUENTIAL, INCIDENTAL, ECONOMIC, PROPERTY, BODILY INJURY, OR PERSONAL INJURY DAMAGES ARISING FROM THE PRODUCT, ANY BREACH OF THIS WARRANTY OR OTHERWISE.

This warranty statement gives you specific legal rights, and you may have other rights which vary from state to state. Some states do not allow the exclusion of implied warranties or limitations of remedies, so the above exclusions and limitations may not apply. If your state does not allow disclaimer of implied warranties, the duration of such implied warranties is limited to period of Sonance's express warranty.

---

Your Product Model and Description: Sonance Visual Performance Series Woofers

Additional Limitations and Exclusions from Warranty Coverage: The warranty described above is non-transferable, applies only to the initial installation of the Product, does not include installation of any repaired or replaced Product, does not include damage to allied or associated equipment which may result for any reason from use with this Product, and does not include labor or parts caused by accident, disaster, negligence, improper installation, misuse (e.g. overdriving the amplifier or speaker, excessive heat or cold or humidity, outdoor installation), or from service or repair which has not been authorized by Sonance.

Obtaining Authorized Service: To qualify for the warranty, you must contact your authorized Sonance Dealer/Installer or call Sonance Customer Service at (949) 492-7777 must obtain a return merchandise number (RMA), and must deliver the Product to Sonance shipping prepaid during the warranty period, together with the original sales receipt, or invoice or other satisfactory proof of purchase.



©2015 Sonance. All rights reserved.

Sonance, Visual Performance, Sonamp, FastMount and RotoLock are registered trademarks of Dana Innovations.

Due to continuous product improvement, all features and specifications are subject to change without notice.

For the latest Sonance product specification information visit our website: [www.sonance.com](http://www.sonance.com)

SONANCE • 991 Calle Amanecer • San Clemente, CA 92673 USA  
(949) 492-7777 • FAX: (949) 361-5151 • Technical Support: (949) 492-7777

[www.sonance.com](http://www.sonance.com)

33-5083 01.27.15