

# SONANCE VISUAL PERFORMANCE SERIES

## EXTREME SPEAKERS INSTRUCTION MANUAL

### VPXT6 | VPXT6R | VPXT6R SST | VPXT8R



### Box Contents

#### VPXT6 or VPXT6R or VPXT8R

- (1) Quickstart guide / cutout template
- (2) Speakers
- (2) Paintable grilles

Or

#### VPXT6R SST

- (1) Quickstart guide / cutout template
- (1) Speaker
- (1) Paintable grille

### Introduction

Thank you for purchasing Sonance Visual Performance Series Speakers. This guide covers the following speaker models: VPXT6 (6" Rectangular), VPXT6R (6" Round), VPXT6R SST (6" Round, Single-Stereo Technology®) and VPXT8R (8" Round).

### Before Installation: Retro-fit

1. Determine the location for the speaker.
2. Perform an obstruction survey to be certain that there are no studs, conduit, pipes, heating ducts, pocket doors or air returns in the wall cavity that will interfere with the speaker.
3. Position the included cutout template where the speaker is to be located and pencil an outline on the wall or ceiling.
  - If you are unsure about obstructions, drill a small hole in the center of the outline and insert a coat hanger wire into the hole to feel-around for possible obstructions.
4. Cut the mounting hole using tools appropriate for the construction, and run the speaker wires from the mounting hole to the amplifier location.

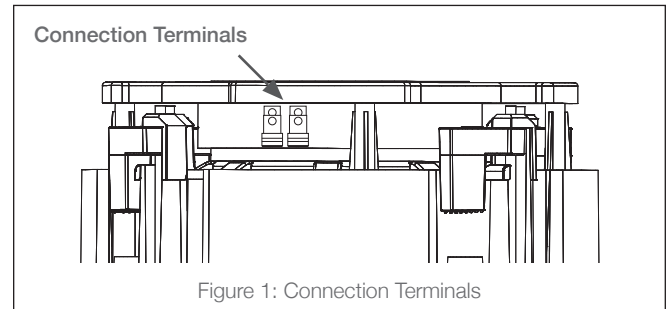
**NOTE: CONSULT LOCAL BUILDING CODES BEFORE RUNNING SPEAKER WIRES THROUGH WALLS.**

### Installation

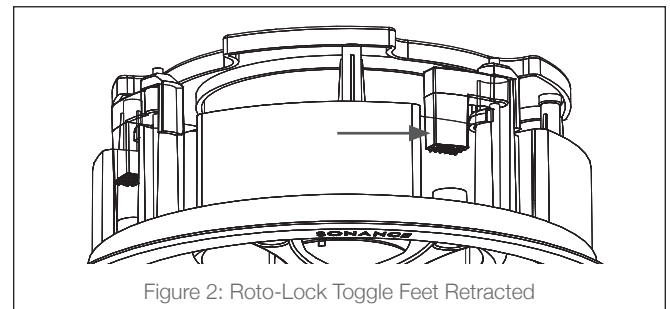
Sonance Visual Performance Series Extreme speakers feature an exclusive integral RotoLock® mounting system for quick mounting directly into existing walls and ceilings.

1. Strip 1/4" – 1/2" (6mm – 13mm) of insulation from each speaker lead. Twist the strands or tin the exposed wire with solder to ensure that there are no stray strands.

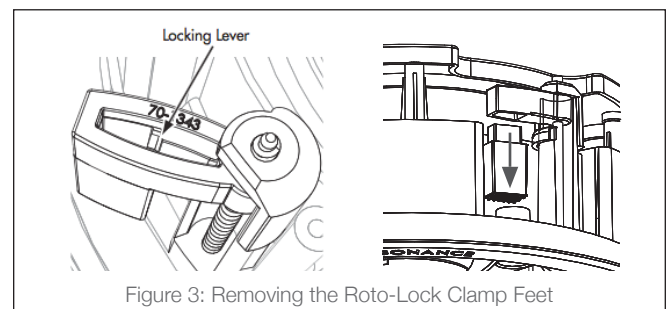
**NOTE: STRAY STRANDS THAT TOUCH EACH OTHER CAN CAUSE A SHORT-CIRCUIT THAT CAN DAMAGE THE AMPLIFIER.**



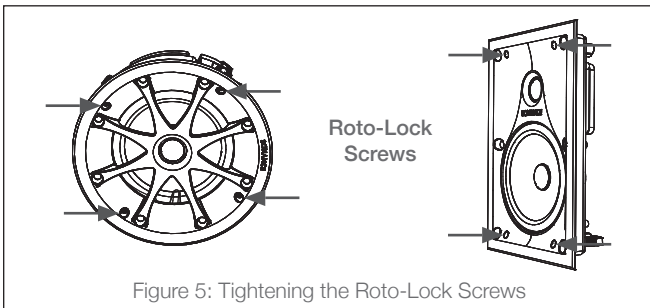
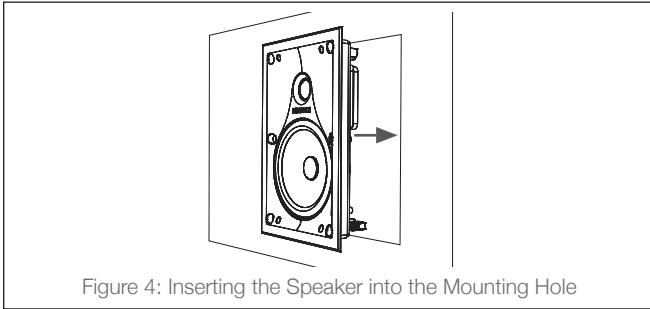
2. The speaker's connector posts are spring-loaded. Push the top of each connector post down to open the connector and insert the exposed wires into the holes in the posts (see Figure 1).
3. The speaker's positive post is labeled with a red dot; the negative post is labeled with a black dot.
  - The VPXT6R SST has two sets of connection terminals, located on opposite sides of the crossover board.
4. After making all connections, double-check that you connected amplifier "+" to speaker "+" and amplifier "-" to speaker "-".
5. Make sure all the Roto-Lock toggle feet are retracted so that they are tucked within the mounting hole's border.



**NOTE: THE ROTO-LOCK SYSTEM CAN ACCOMMODATE A WALL MATERIAL THICKNESS OF 1 1/4" (32MM) WITH THE TOGGLE FOOT CAP REMOVED THE SYSTEM CAN ACCOMMODATE A WALL MATERIAL THICKNESS OF 1 3/4" (44MM). TO REMOVE THE CLAMP FEET, USE A SMALL SCREWDRIVER TO GENTLY RELEASE THE LOCKING LEVERS (FIGURE 3, LEFT). THEN REMOVE THE FEET FROM THE CLAMPS (FIGURE 3, RIGHT).**



6. Insert the speaker into the mounting hole (Figure 4) and tighten the four screws on the front of the speaker baffle. (Figure 5).

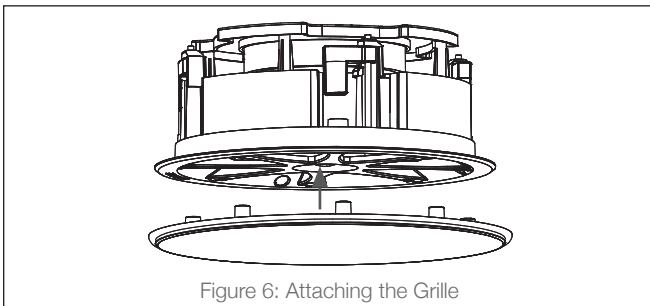


7. The Roto-Lock clamps will automatically rotate into position and begin clamping the speaker.

**IMPORTANT: ALWAYS USE LOW-TORQUE SETTINGS WHEN USING A SCREW GUN; NEVER OVER TIGHTEN.**

**NOTE: ADJUSTING THE TENSION OF THE ROTO-LOCK CLAMPS SO THAT THE SPEAKER FRAME IS FLAT WILL HELP ENSURE THAT THE GRILLE CONTACTS THE WALL ALL THE WAY AROUND THE SPEAKER FOR A PROPER FIT.**

8. The Visual Performance Extreme Grille features Sonance Extreme Post Capture (XPC) technology. XPC holds the grille in place by several small magnets located on the posts of the grille and inside the post holes located on the speaker baffle (Figure 6). Place the grille against the speaker, aligning the grille posts and post holes. The magnets will pull the grille posts into the post holes and hold the grille firmly in place. When the grille is properly installed, the grille trim should make contact with the mounting surface all the way around the speaker.



**NOTE: EXTREME POST CAPTURE TECHNOLOGY INVOLVES STRONG MAGNETS THAT MAY CAUSE A FAST CONNECTION WHEN THE GRILLE IS BEING INSTALLED ONTO THE SPEAKER. TAKE CAUTION WHEN ALIGNING THE POSTS TO THE HOLES TO PROTECT FINGERS FROM GETTING CAUGHT.**

## PAINTING THE GRILLES

Sonance Visual Performance Series speaker grilles completely cover the exposed speaker frame, so only the grilles (not the speakers themselves) require painting.

1. Prime the grille with a metal primer/bonder in a spray can. Carefully follow the manufacturer's directions on the can.
2. We recommend using water-based latex paint on the grilles. Thin the paint with a proper thinning agent to a ratio of 1:1 paint-to-thinner, and strain it through a standard mesh strainer to remove any lumps.

**IMPORTANT: DUE TO ITS INCREASED DURABILITY, OIL-BASED PAINT SHOULD BE CONSIDERED FOR VP EXTREME SERIES SPEAKERS THAT ARE INSTALLED OUTDOORS.**

3. Use a small touch-up gun or cap-spray gun with a #3 tip for painting.
  - (A) Set the nozzle with a medium to wide fan.
  - (B) Set the pressure regulator to 60psi.
  - (C) Lightly spray the front of the grille in 3 quick strokes from approximately 10 inches away.
  - (D) Let the paint set for a minute, then turn the grille 90° and lightly spray the grille again in 3 quick strokes. Repeat this step until all four sides of the grille have been evenly painted.
4. While the paint is still wet, inspect the grille and make sure that excess paint has not collected underneath the grille frame, and that none of the grille perforations are filled with paint. If any are, use compressed air to blow the paint out of the perforations.

**IMPORTANT: IF YOU FIND ANY GRILLE PERFORATIONS THAT ARE PLUGGED WITH PAINT AFTER THE PAINT HAS DRIED, USE A STRAIGHT PIN OR SEWING NEEDLE TO CAREFULLY REMOVE THE PAINT.**

5. Once the paint has thoroughly dried, mount the grille on the speaker.

<b>VPXT6</b>		<b>VPXT6R SST</b>	
Tweeter	1" (25mm) polyurethane dome, Ferrofluid cooled, in acoustic back chamber	Tweeter	1" (25mm) polyurethane dome, dual voice coil, Ferrofluid cooled, in acoustic back chamber
Woofer	6 1/2" (165mm) injection-molded polypropylene/graphite cone, with integral Santoprene™ surround	Woofer	6 1/2" (165mm) injection-molded polypropylene/graphite cone, with integral Santoprene™ surround
Frequency Response	45Hz - 20kHz ±3dB	Frequency Response	45Hz - 20kHz ±3dB
Impedance	8 ohms nominal; 6 ohms minimum	Impedance	8 ohms nominal; 6 ohms minimum
Power Handling	5 watts minimum; 125 watts maximum	Power Handling	5 watts minimum; 125 watts maximum
Sensitivity	89dB SPL (2.83V/1 meter)	Sensitivity	89dB SPL (2.83V/1 meter)
Environmental	Conforms to Military Standard 810G for humidity, salt spray, temperature & UV, IP-66 waterproof rating	Environmental	Conforms to Military Standard 810G for humidity, salt spray, temperature & UV, IP-66 waterproof rating
Environment Temp	-30° - 175°F (-34°C - 79°C)	Environment Temp	-30° - 175°F (-34°C - 79°C)
Speaker Depth	2 1/2" (64mm)	Speaker Depth	3 1/2" (89mm)
Dimensions	8 3/8" x 12 1/4" (213mm x 311mm)	Dimensions	9 3/4" (248mm)
Cut-Out Dimensions	6 15/16" x 10 3/4" (176mm x 273mm)	Cut-Out Dimensions	8 1/4" (210mm)
Grille Material	Powder-coated stainless steel	Grille Material	Powder-coated stainless steel
Shipping Weight	12 lbs (5.4 kg) pair	Shipping Weight	4.5 lbs (2.1 kg) each
<b>VPXT6R</b>		<b>VPXT8R</b>	
Tweeter	1" (25mm) polyurethane dome, Ferrofluid cooled, in acoustic back chamber	Tweeter	1" (25mm) polyurethane dome, Ferrofluid cooled, in acoustic back chamber
Woofer	6 1/2" (165mm) injection-molded polypropylene/graphite cone, with integral Santoprene™ surround	Woofer	8" (205mm) injection-molded polypropylene/graphite cone, with integral Santoprene™ surround
Frequency Response	45Hz - 20kHz ±3dB	Frequency Response	40Hz - 20kHz ±3dB
Impedance	8 ohms nominal; 6 ohms minimum	Impedance	8 ohms nominal; 6 ohms minimum
Power Handling	5 watts minimum; 125 watts maximum	Power Handling	5 watts minimum; 130 watts maximum
Sensitivity	89dB SPL (2.83V/1 meter)	Sensitivity	90dB SPL (2.83V/1 meter)
Environmental	Conforms to Military Standard 810G for humidity, salt spray, temperature & UV, IP-66 waterproof rating	Environmental	Conforms to Military Standard 810G for humidity, salt spray, temperature & UV, IP-66 waterproof rating
Environment Temp	-30° - 175°F (-34°C - 79°C)	Environment Temp	-30° - 175°F (-34°C - 79°C)
Speaker Depth	3 1/2" (89mm)	Speaker Depth	3 3/4" (95mm)
Dimensions	9 3/4" (248mm)	Dimensions	11 5/8" (295mm)
Cut-Out Dimensions	8 1/4" (210mm)	Cut-Out Dimensions	10 1/8" (257mm)
Grille Material	Powder-coated stainless steel	Grille Material	Powder-coated stainless steel
Shipping Weight	12 lbs (5.4 kg) pair	Shipping Weight	14 lbs (6.35kg) pair

**LIMITED FIVE (5) YEAR WARRANTY**

Sonance warrants to the first end-user purchaser that this Sonance-brand product ("Product"), when purchased from an authorized Sonance Dealer/Distributor, will be free from defective workmanship and materials for the period stated below. Sonance will at its option and expense during the warranty period, either repair the defect or replace the Product with a new or remanufactured Product or a reasonable equivalent.

**EXCLUSIONS**

**TO THE EXTENT PERMITTED BY LAW, THE WARRANTY SET FORTH ABOVE IS IN LIEU OF, AND EXCLUSIVE OF, ALL OTHER WARRANTIES, EXPRESS OR IMPLIED, AND IS THE SOLE AND EXCLUSIVE WARRANTY PROVIDED BY SONANCE. ALL OTHER EXPRESS AND IMPLIED WARRANTIES, INCLUDING THE IMPLIED WARRANTIES OF MERCHANTABILITY, IMPLIED WARRANTY OF FITNESS FOR USE, AND IMPLIED WARRANTY OF FITNESS FOR A PARTICULAR PURPOSE ARE SPECIFICALLY EXCLUDED.**

No one is authorized to make or modify any warranties on behalf of Sonance. The warranty stated above is the sole and exclusive remedy and Sonance's performance shall constitute full and final satisfaction of all obligations, liabilities and claims with respect to the Product.

**IN ANY EVENT, SONANCE SHALL NOT BE LIABLE FOR CONSEQUENTIAL, INCIDENTAL, ECONOMIC, PROPERTY, BODILY INJURY, OR PERSONAL INJURY DAMAGES ARISING FROM THE PRODUCT, ANY BREACH OF THIS WARRANTY OR OTHERWISE.**

This warranty statement gives you specific legal rights, and you may have other rights which vary from state to state. Some states do not allow the exclusion of implied warranties or limitations of remedies, so the above exclusions and limitations may not apply. If your state does not allow disclaimer of implied warranties, the duration of such implied warranties is limited to period of Sonance's express warranty.

Your Product Model and Description: VPXT6 or VPXT6R or VPXT6R SST or VPXT8R.

Warranty Period for this Product: Five (5) years from the date on the original sales receipt or invoice or other satisfactory proof of purchase.

Additional Limitations and Exclusions from Warranty Coverage: The warranty described above is non-transferable, applies only to the initial installation of the Product, does not include installation of any repaired or replaced Product, does not include damage to allied or associated equipment which may result for any reason from use with this Product, and does not include labor or parts caused by accident, disaster, negligence, improper installation, misuse (e.g. overdriving the amplifier or speaker, excessive heat, cold or humidity), or from service or repair which has not been authorized by Sonance. Obtaining Authorized Service: To qualify for the warranty, you must contact your authorized Sonance Dealer/Installer or call Sonance Customer Service/Technical Support at (949) 492-7777 within the warranty period, must obtain a return merchandise number (RMA), and must deliver the Product to Sonance shipping prepaid during the warranty period, together with the original sales receipt, or invoice or other satisfactory proof of purchase.