

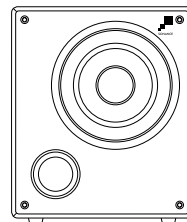
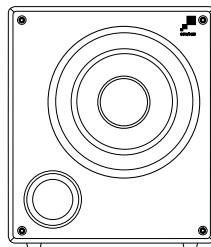
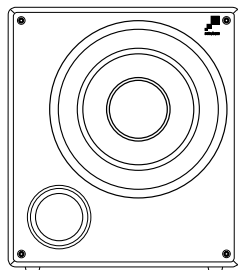


SONANCE®

# IMPACT SUBWOOFER INSTRUCTION MANUAL

---

i12 | i10 | i8



# TABLE OF CONTENTS

Safety	2
Design and Features	3
Features	3
Box Contents	3
Subwoofer Placement	3
Installing the Subwoofer Flush to a Wall or Cabinet	3
Subwoofer Rear Panels	3
Subwoofer Connections	4
Audio Connections	4
Connection Examples	4
Subwoofer Adjustments	6
SonARC	6
Specifications	7
Warranty	8

# IMPORTANT SAFETY INFORMATION

**IMPORTANT: READ ALL OF THESE INSTRUCTIONS BEFORE YOU INSTALL OR OPERATE YOUR SUBWOOFER AND SAVE THESE INSTRUCTIONS FOR LATER USE.**

- 1. Read Instructions** — All these safety and operating instructions should be read before you operate the unit.
- 2. Retain Instructions** — These safety and operating instructions should be retained for future reference.
- 3. Heed Warnings** — All warnings on the unit and in the operating instructions should be adhered to.
- 4. Follow Instructions** — All operating and use instructions should be followed.
- 5. Water and Moisture** — The unit should not be used near water — for example, near a bathtub, washbowl, kitchen sink, in a wet basement, or near a swimming pool, etc.
- 6. Carts and Stands** — The unit should be used only with a cart or stand that is recommended by the manufacturer. A unit and cart combination should be moved with care. Quick stops, excessive force, and uneven surfaces may cause the unit and cart combination to overturn.



**7. CAUTION: To prevent electric shock, do not use the subwoofer's polarized plug with an extension cord, receptacle, or other outlets unless the blades can be fully inserted to prevent blade exposure.**

- 8. Ventilation** — The unit should be situated so that its location or position does not interfere with its proper ventilation. For example, the unit should not be placed in a built-in installation, such as a bookcase or cabinet, that may impede the flow of air over the back plate.
- 9. Heat** — The unit should be situated away from heat sources such as radiators, heat registers, stoves, or other appliances (including other audio components) that produce heat.

- 10. Power Sources** — The unit should be connected to a power supply only of the type described in the operating instructions or as marked on the unit.
- 11. Accessories and Attachments** — Only use accessories and attachments specified by the manufacturer.
- 12. Grounding or Polarization** — Precautions should be taken so that the grounding or polarization means of the unit is not defeated.
- 13. Power Cord Protection** — Power cords should be routed so that they are not likely to be walked on or pinched by items placed upon or against them, paying particular attention to cords at plugs, convenience receptacles, and the point where they exit from the controller.
- 14. Cleaning** — The unit should be cleaned only as recommended by the manufacturer.
- 15. Non-Use Periods** — The power cord of the unit should be unplugged from the outlet when left unused for a long period of time.
- 16. Object and Liquid Entry** — Care should be taken so that objects do not fall and liquids are not spilled into the enclosure through openings.
- 17. Damage Requiring Service** — The unit should be serviced by qualified service personnel when:
  - The power cord or the plug has been damaged.
  - Objects have fallen or liquid has been spilled into the unit.
  - The unit has been exposed to rain.
  - The unit does not appear to operate normally or exhibits a marked change in performance.
  - The unit has been dropped or the enclosure damaged.
- 18. Servicing** — The user should not attempt to service the unit beyond that described in the operating instructions. All other servicing should be referred to qualified service personnel.



The lightning flash with arrowhead symbol, within an equilateral triangle, is intended to alert the user to the presence of uninsulated dangerous voltage within the product's enclosure that may be of sufficient magnitude to constitute a risk of electric shock to persons.



The exclamation point within an equilateral triangle is intended to alert the user to the presence of important operating and maintenance (servicing) instructions in the literature accompanying the appliance.



In accordance with the European Union WEEE (Waste Electrical and Electronic Equipment) directive effective August 13, 2005, we would like to notify you that this product may contain regulated materials which upon disposal, according to the WEEE directive, require special reuse and recycling processing. For this reason Sonance has arranged with our distributors in European Union member nations to collect and recycle this product at no cost to you. To find your local distributor please contact the dealer from whom you purchased this product. Please note, only this product itself falls under the WEEE directive. When disposing of packaging and other related shipping materials we encourage you to recycle these items through the normal channels.



**IMPACT  
SUBWOOFERS**

Tested to comply with FCC Standards for home or office use only.

This device complies with part 15 of the FCC Rules. Operation is subject to the following two conditions:

- (1) This device may not cause harmful interference
- (2) This device must accept any interference received, including interference that may cause undesired operation.

## Design and Features

Your new Sonance Impact Wireless Subwoofer delivers powerful, low-distortion bass, and easily fits into your room's décor. The ultra long throw, glass fiber cone, advanced port design and sealed amp plate enclosure deliver room-shaking bass from a small cabinet that gives you many installation options.

## Features

- Piano Black Finish with Black Cloth Grille for Elegant and Minimalistic Aesthetic
- Sealed Amp Plate
- Wireless and Hard Wired Connection Options
- Made for Music and Movies
- Built-in Wireless Receiver
- 16 Bands of Adjustable Equalization
- Advanced Tuned Port Design
- Woven Glass Fiber Cone
- App Controlled SonARC Room Correction and Setup

## Box Contents

- (1) Sonance Impact Subwoofer
- (4) Removable rubber feet
- (1) IEC power cord (115V versions only)

## Subwoofer Placement

Sonance Subwoofers have built-in app driven room correction allowing you to place the subwoofer in a wide variety of room locations. Since your ears do not hear directional sound at deep bass frequencies, your subwoofer's placement is not as critical to its over-all performance as is the placement of your system's other speakers. The following guidelines — plus some experimentation will help you get the best performance possible from your subwoofer in your listening environment. We suggest starting with the subwoofer in line with your left and right speakers, somewhere between either speaker and the side wall (see Figure 1).

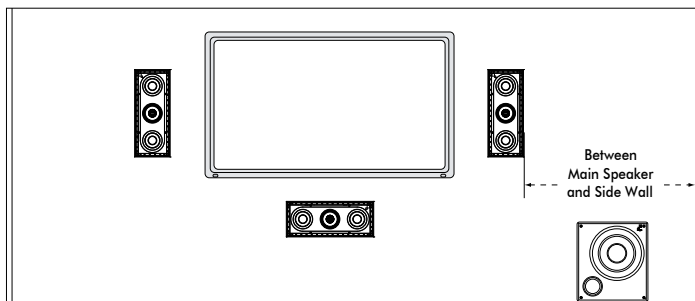


Figure 1: Start with the Subwoofer Located between a Main Speaker and the Side Wall.

Your subwoofer's location relative to walls will influence the amount of bass it produces — placing the subwoofer next to a wall will increase bass output; placing it in a corner will maximize its bass output. However, corner placement can increase standing waves in the room (peaks and dips in bass response related to the room's dimensions) that can make the subwoofer's bass performance sound uneven at different listening locations. Experiment with different subwoofer locations until you find one that produces strong bass that sounds clear (without boominess) at the seating locations while maintaining the sound's impact.

Your local authorized Sonance dealer is an expert in audio/video system planning and installation. We strongly recommend that you work with your dealer to ensure that you get the best performance possible from your subwoofer.

**NOTE: THESE SUBWOOFERS CAN PRODUCE ENOUGH BASS ENERGY TO CAUSE OBJECTS IN THE ROOM TO RATTLE OR BUZZ DURING PASSAGES WITH VERY STRONG BASS. IF THIS HAPPENS, TRY RELOCATING THE ITEMS. IF THAT FAILS TO STOP THE RATTLING YOU MAY HAVE TO REMOVE OR SECURE THE ITEMS.**

## Installing the Subwoofer Flush to a Wall or Cabinet

To allow for proper ventilation when installing the Impact Subwoofer this way, leave at least 1" of clearance around the top and sides of the subwoofer and 1" of clearance behind it. If it is not possible to provide the necessary clearance, install a fan that will bring cooling air into the rear of the compartment containing the subwoofer.

## Subwoofer Rear Panels

Figure 2 shows the controls and connections located on the subwoofer rear panel.

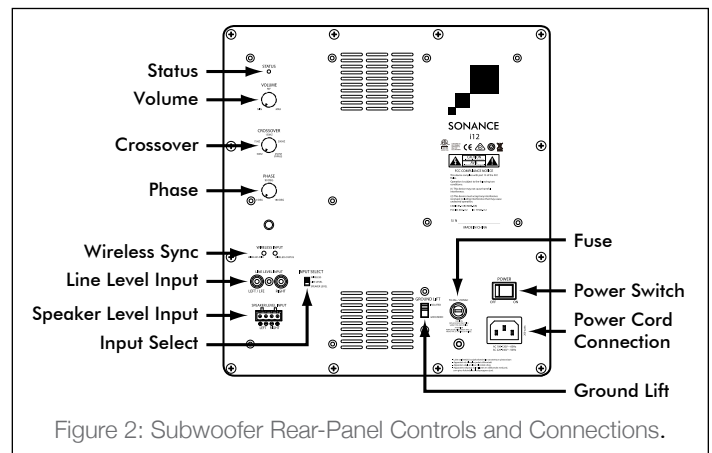


Figure 2: Subwoofer Rear-Panel Controls and Connections.

# Subwoofer Connections

## Power Connection

Your Sonance Cabinet Subwoofer features a removable IEC power connector for 115V (see Figure 2). Plug the female end of the power cord into the power cord connector on the subwoofer's rear panel and plug the male end into a grounded wall socket. **DO NOT** plug the subwoofer's power cord into a convenience outlet on any other audio or video component.

**IMPORTANT: DO NOT PLUG THE POWER CORD INTO THE WALL OUTLET UNTIL ALL SYSTEM CONNECTIONS HAVE BEEN MADE AND VERIFIED.**

**NOTE: IF YOU NEED TO USE AN EXTENSION CORD, USE ONLY A HEAVY-DUTY (14-GAUGE OR LARGER) EXTENSION CORD TO AVOID STARVING THE SUBWOOFER OF ALL THE CURRENT NECESSARY FOR FULL-POWER OPERATION.**

**NOTE: DO NOT PLUG THE POWER CORD INTO A POWER CONDITIONER OR UPS SYSTEM.**

## Audio Connections

Your Sonance Impact Subwoofer has flexible connections that let you use it in a wide variety of audio system configurations (see Figure 2).

### Line Level

You can connect the subwoofer's line level input to a surround processor or receiver's line-level dedicated subwoofer LFE output or a stereo preamp/integrated amplifier's left and right variable main outputs. If your receiver has a subwoofer output jack, you can connect your subwoofer, using the LEFT/LFE input (see Figure 2).

### Speaker Level Input

The subwoofer's speaker inputs can be connected to the speaker outputs of a receiver or integrated amp that does not have left and right line-level outputs or a dedicated subwoofer output (see Figure 2).

**NOTE: WHEN USING THE SUBWOOFER'S SPEAKER INPUTS WE RECOMMEND THE FOLLOWING MINIMUM SPEAKER WIRE SIZES:**

- 16 GAUGE FOR A TOTAL WIRE LENGTH OF UP TO 500'
- 14 GAUGE FOR A TOTAL WIRE LENGTH OF UP TO 1,000'

### Wireless Input

Your Impact Subwoofer comes with a built-in wireless receiver that will link to the Sonance Wireless Transmitter (SKU 93360 sold separately). To link the subwoofer with the transmitter, connect line level inputs from the Wireless Transmitter to the surround processor or receiver following the line level instructions above. Once your Sonance Wireless Transmitter and Impact Subwoofer are powered on, press and hold the PAIR button on the back of the Wireless Transmitter. Once the transmitter is in PAIR mode, the LED light will blink blue. Release the PAIR button and within 30 seconds, press and hold the Wireless SYNC button on the back of the subwoofer until the light on front of the Wireless Transmitter turns solid blue, then release. Your Impact Subwoofer and Wireless Transmitter are now paired.

# Connection Examples

Follow the connection example that best describes your audio system. The examples are listed in descending order of preference, with the most ideal method presented first. If you can connect the subwoofer to your system using more than one of the following methods, use the one that is applicable.

**IMPORTANT: DO NOT CONNECT THE SUBWOOFER'S LINE INPUTS AND SPEAKER INPUTS AT THE SAME TIME UNDER ANY CONDITIONS.**

## Option 1

Surround sound processor, surround sound receiver, or stereo preamp with a dedicated subwoofer output (see Figure 3):

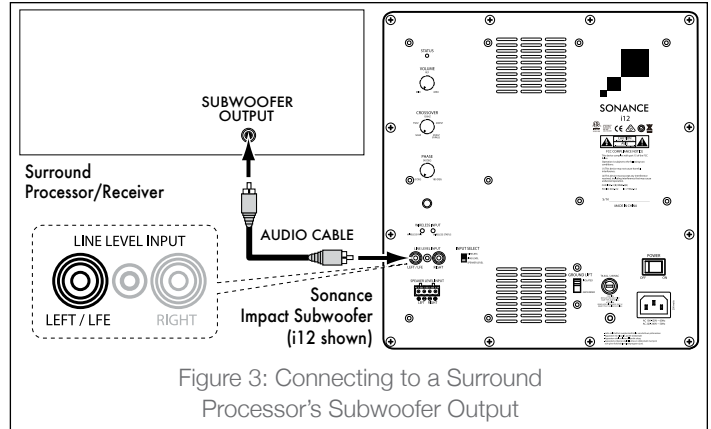


Figure 3: Connecting to a Surround Processor's Subwoofer Output

Connect the processor's dedicated subwoofer output to the left line level input jack labeled LEFT/LFE. If you are installing two subwoofers in the system, use a 'Y' connector to connect both subwoofers to the processor's subwoofer output.

## Option 2

Stereo preamp/power amp combination or an integrated amplifier with pre out and line level input jacks (see Figure 4):

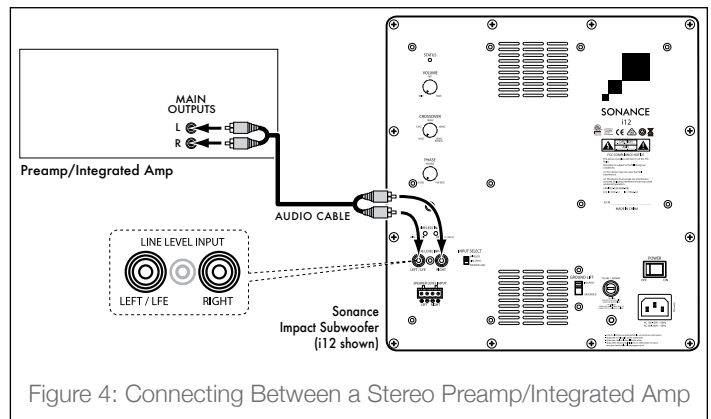
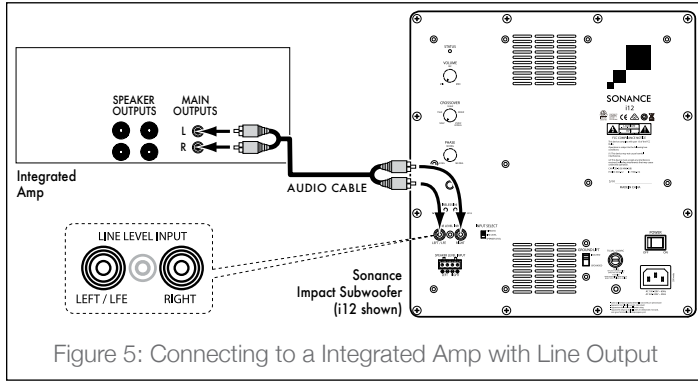


Figure 4: Connecting Between a Stereo Preamp/Integrated Amp

Connect the preamp/integrated amplifier's left and right main outputs to the both of the subwoofer's line level input jacks.

### Option 3

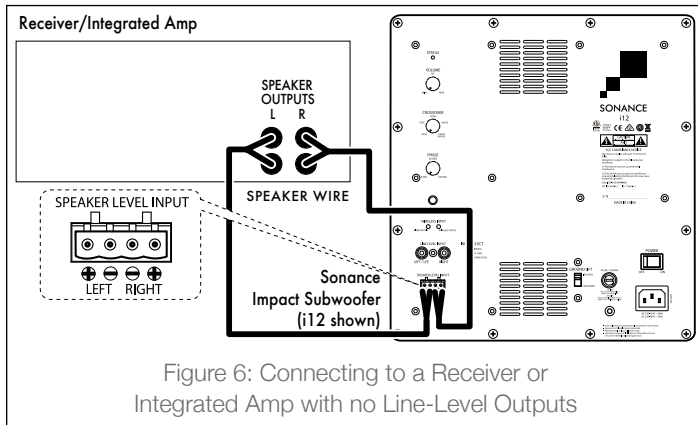
Integrated amplifier with left and right line-level outputs but no main in or amp in jacks (see Figure 5):



Use a stereo audio cable to connect the integrated amplifier's left and right line outputs to the subwoofer's left and right line input jacks. If you are installing two subwoofers in the system, connect the integrated amp's left line output to the first subwoofer's left line input jack and connect the integrated amp's right line output to the second subwoofer's right line input jack.

### Option 4

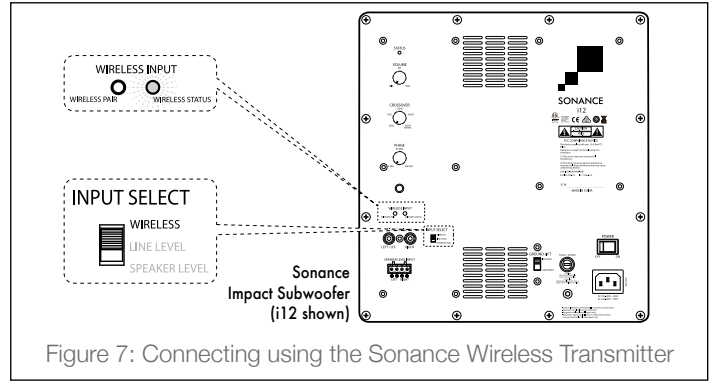
Receiver or integrated amplifier with no line-level outputs (see Figure 6):



Use speaker wire to connect the receiver/integrated amplifier's left and right speaker outputs to the subwoofer's left and right speaker inputs.

### Option 5

Wireless connectivity using the Sonance Wireless Transmitter (see Figure 7):



Once your Sonance Wireless Transmitter and your Sonance Subwoofer are powered on, press and release the PAIR button located on the back of the Sonance Wireless Transmitter until the LED light on the front of the unit blinks.

**NOTE: IN STANDARD RESIDENTIAL CONSTRUCTION THE SONANCE WIRELESS TRANSMITTER HAS A RANGE OF 30'.**

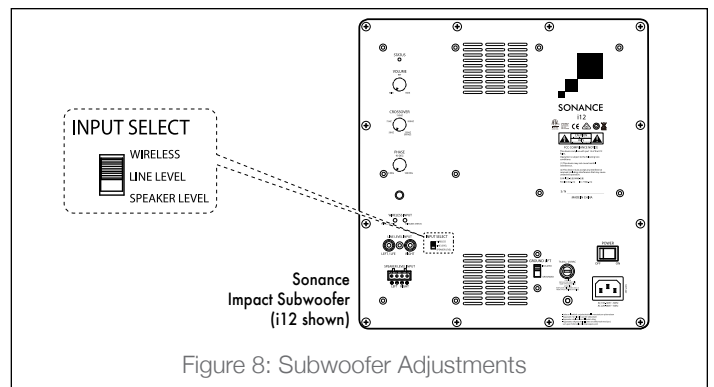
Your wireless transmitter is in PAIR mode.

Within 30 seconds press and release the wireless PAIR button located on the back of your Sonance Subwoofer.

Once your subwoofer and wireless transmitter pair, the wireless status LED light on the back of your subwoofer and on the front of your Sonance Wireless Transmitter will turn solid blue. Your subwoofer and wireless transmitter are now successfully set-up.

### Input Select

Identify the input being utilized for the subwoofer connection and switch the input select toggle to the appropriate input (see Figure 8).



**IMPORTANT: NO SIGNAL WILL BE PASSED IF THE INPUT SELECT BUTTON IS NOT PROPERLY SELECTED.**

# Subwoofer Adjustments

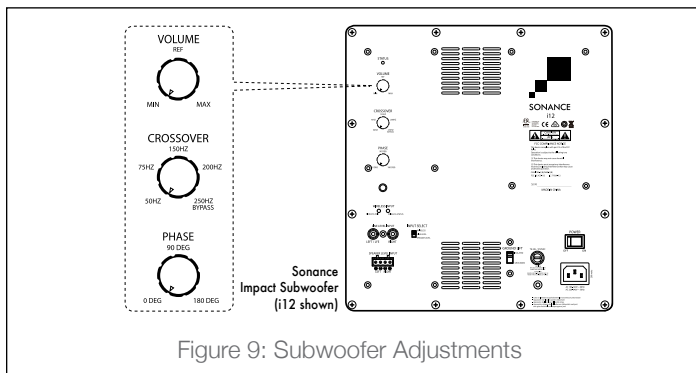
## SonARC For Subwoofers

Every Sonance subwoofer comes with SonARC built in. SonARC for subwoofers is an app driven room correction software that allows you to tune your subwoofer perfectly for the environment it is placed in. You can download the free app from the Apple App Store. The app will work on any iOS device. For more information visit <http://www.sonance.com/sonarc>.

**NOTE: WHEN USING THIRD PARTY ROOM CORRECTION SOFTWARE, BE SURE TO PERFORM THE SONANCE AUTOMATIC ROOM CORRECTION APP (SONARC) ADJUSTMENTS FIRST.**

## Volume Adjustments

The VOLUME control sets the subwoofer's volume output. When setting the subwoofer's VOLUME control by ear, try to find a volume setting where the bass sounds balanced on both music and films. Listen to several different music recordings and film soundtracks that contain strong bass passages and try to find a setting for the VOLUME control that doesn't over-emphasize the bass or make it sound weak (see Figure 9).



The most accurate way to set the VOLUME control is with calibrated test noise or test tones and a sound-pressure level (SPL) meter or real time analyzer. There are several CDs and DVDs that contain subwoofer test signals. If you use an SPL meter, set the subwoofer's VOLUME control so that it plays at the same volume as the system's other speakers.

## Crossover Adjustments

The crossover control adjusts the subwoofer's internal crossover frequency between 50Hz and 250Hz. The crossover's slope is 18dB/octave. The higher you set the crossover control, the higher in frequency the subwoofer will operate. Use the crossover control to achieve a smooth transition of bass frequencies between the subwoofer and your main speakers. Generally, the crossover control should be set at a lower frequency if your main speakers have larger woofers, and at a higher frequency if your main speakers have smaller woofers (see Figure 9).

When setting the crossover control by ear, listen for the smoothness of the bass. If the bass seems too strong at certain frequencies (especially if your main speakers have larger woofers), try a lower crossover control setting. If the bass seems too weak at certain frequencies (especially if your main speakers have smaller woofers), try a higher crossover control setting.

Ideally, the crossover control should be set to the frequency where your main speakers' low-frequency response rolloff is -3dB.

## Phase Adjustments

When the subwoofer's PHASE switch is in the 0 position, a positive input voltage will cause the woofer cone to move out (towards the room). When the PHASE switch is in the 180 position, a positive input voltage will cause the woofer cone to move in (away from the room) (see Figure 9).

There is no absolute correct setting for the PHASE switch. Depending on the location of the subwoofer relative to your main speakers and seating location, one of the settings will produce a better match with the main speakers, improving bass impact and in some cases, improving overall bass level as well.

To determine the correct setting of the PHASE switch, listen to music with significant impactful bass content with the switch in each position (it may be helpful to sit in the normal listening position while someone else changes the PHASE switch between 0 and 180). Leave the switch in the position that produces audibly louder bass with more impact.

## Ground Lift

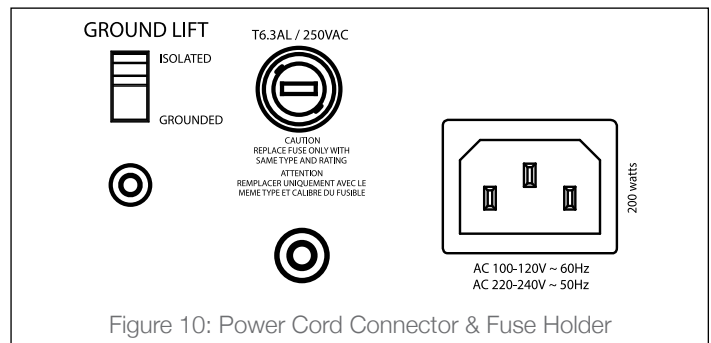
Your Sonance Impact Subwoofer features a ground lift switch available to eliminate most grounding issues. To reduce the ground current & induced noises, switch the ground lift from isolated to grounded. Safety is not affected (see Figure 10).

## Replacing the AC Fuse

Your subwoofer is factory-equipped with the following AC fuse:

- i12 — T6.3AL~250VAC
- i10 — T5AL~250VAC
- i8 — T4AL~250VAC

To replace the fuse, unplug the power cord from the Power Cord Connector and use a screwdriver to remove the fuse holder (see Figure 10).



**CAUTION: FOR CONTINUED PROTECTION AGAINST FIRE, REPLACE THE FUSE WITH ONLY THE SAME TYPE AND RATING.**

## Power Connection

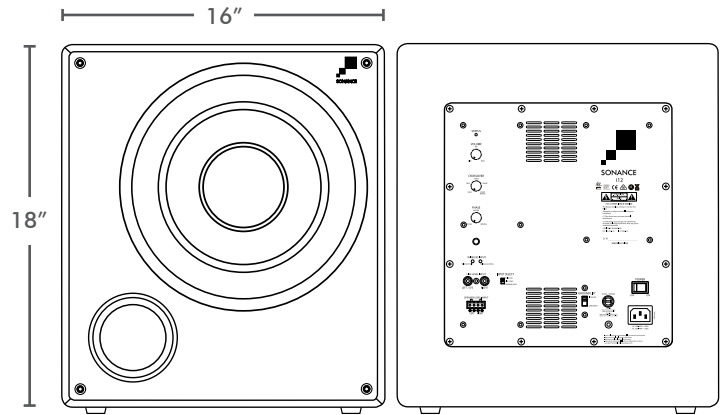
Your Sonance Impact Subwoofer features a removable IEC power connector (see Figure 10). Plug the female end of the power cord into the power cord connector on the subwoofer's rear panel and plug the male end into a grounded wall socket. Do NOT plug the subwoofer's power cord into a convenience outlet on any other audio or video component.

**IMPORTANT: DO NOT PLUG THE POWER CORD INTO THE WALL OUTLET UNTIL ALL SYSTEM CONNECTIONS HAVE BEEN MADE AND VERIFIED. NOTE: IF YOU NEED TO USE AN EXTENSION CORD, USE ONLY A HEAVY-DUTY (14-GAUGE OR LARGER) EXTENSION CORD TO AVOID STARVING THE SUBWOOFER OF ALL THE CURRENT NECESSARY FOR FULL-POWER OPERATION.**

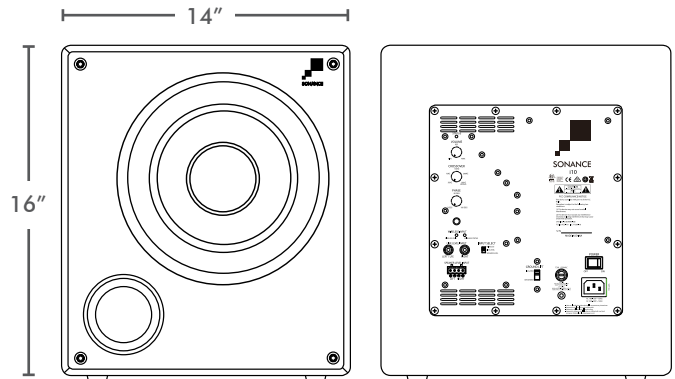


# Specifications

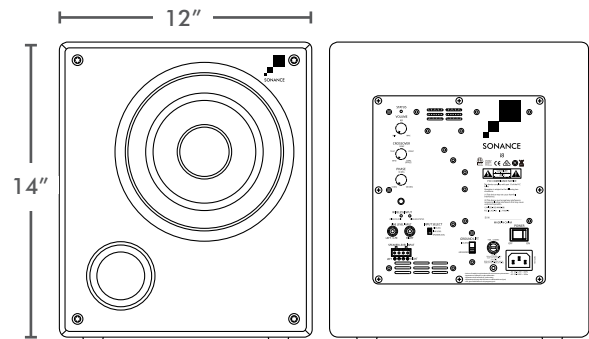
**Model:** i12  
**SKU:** 93358  
**Woofers:** 12" (305mm) ultra long throw, glass fiber cone, rubber surround  
**Frequency Response:** 22Hz – 250Hz +/-3dB  
**Enclosure Material:** MDF with high-gloss black finish  
**Power Output:** 400 watts RMS (800 watts peak)  
**Inputs:** Line-level, speaker-level and low latency wireless  
**Controls:** Crossover, phase and bypass  
**In Room EQ:** App controlled DSP, Room Correction  
**Cabinet Dimensions:** 16" x 18" x 16"  
**(W x H x D)** (407mm x 457mm x 407mm)  
**Height with Feet:** 18.5" (470mm)  
**Grille Material:** Black cloth  
**Shipping Weight:** 70 lbs. (31.5kg)



**Model:** i10  
**SKU:** 93357  
**Woofers:** 10" (254mm) ultra long throw, glass fiber cone, rubber surround  
**Frequency Response:** 24Hz – 250Hz +/-3dB  
**Enclosure Material:** MDF with high-gloss black finish  
**Power Output:** 300 watts RMS (600 watts peak)  
**Inputs:** Line-level, speaker-level and low latency wireless  
**Controls:** Crossover, phase and bypass  
**In Room EQ:** App controlled DSP, Room Correction  
**Cabinet Dimensions:** 14" x 16" x 14"  
**(W x H x D)** (356mm x 407mm x 356mm)  
**Height with Feet:** 16.5" (419mm)  
**Grille Material:** Black cloth  
**Shipping Weight:** 60 lbs. (27kg)



**Model:** i8  
**SKU:** 93356  
**Woofers:** 8" (203mm) ultra long throw, glass fiber cone, rubber surround  
**Frequency Response:** 30Hz – 250Hz +/-3dB  
**Enclosure Material:** MDF with high-gloss black finish  
**Power Output:** 200 watts RMS (400 watts peak)  
**Inputs:** Line-level, speaker-level and low latency wireless  
**Controls:** Crossover, phase and bypass  
**In Room EQ:** App controlled DSP, Room Correction  
**Cabinet Dimensions:** 12" x 14" x 12"  
**(W x H x D)** (305mm x 355mm x 305mm)  
**Height with Feet:** 14.5" (368mm)  
**Grille Material:** Black cloth  
**Shipping Weight:** 40 lbs. (18kg)



CAD Files available for download at [www.sonance.com/impact/subwoofers](http://www.sonance.com/impact/subwoofers)



## LIMITED FIVE (5) YEAR WARRANTY

Sonance warrants to the first end-user purchaser that this Sonance-brand product (product), when purchased from an authorized Sonance Dealer/Distributor, will be free from defective workmanship and materials for the period stated below. Sonance will at its option and expense during the warranty period, either repair the defect or replace the Product with a new or remanufactured Product or a reasonable equivalent.

## EXCLUSIONS

**TO THE EXTENT PERMITTED BY LAW, THE WARRANTY SET FORTH ABOVE IS IN LIEU OF, AND EXCLUSIVE OF, ALL OTHER WARRANTIES, EXPRESS OR IMPLIED, AND IS THE SOLE AND EXCLUSIVE WARRANTY PROVIDED BY SONANCE. ALL OTHER EXPRESS AND IMPLIED WARRANTIES, INCLUDING THE IMPLIED WARRANTIES OF MERCHANTABILITY, IMPLIED WARRANTY OF FITNESS FOR USE, AND IMPLIED WARRANTY OF FITNESS FOR A PARTICULAR PURPOSE ARE SPECIFICALLY EXCLUDED.**

No one is authorized to make or modify any warranties on behalf of Sonance. The warranty stated above is the sole and exclusive remedy and Sonance's performance shall constitute full and final satisfaction of all obligations, liabilities and claims with respect to the Product.

**IN ANY EVENT, SONANCE SHALL NOT BE LIABLE FOR CONSEQUENTIAL, INCIDENTAL, ECONOMIC, PROPERTY, BODILY INJURY, OR PERSONAL INJURY DAMAGES ARISING FROM THE PRODUCT, ANY BREACH OF THIS WARRANTY OR OTHERWISE.**

This warranty statement gives you specific legal rights, and you may have other rights which vary from state to state. Some states do not allow the exclusion of implied warranties or limitations of remedies, so the above exclusions and limitations may not apply. If your state does not allow disclaimer of implied warranties, the duration of such implied warranties is limited to period of Sonance's express warranty.

Your Product Model and Description: Sonance Impact Subwoofer

Warranty Period for this Product: Five (5) years from the date on the original sales receipt or invoice or other satisfactory proof of purchase.

Additional Limitations and Exclusions from Warranty Coverage: The warranty described above is non-transferable, applies only to the initial installation of the Product, does not include installation of any repaired or replaced Product, does not include damage to allied or associated equipment which may result for any reason from use with this Product, and does not include labor or parts caused by accident, disaster, negligence, improper installation, misuse (e.g. overdriving the amplifier or speaker, excessive heat, cold or humidity), or from service or repair which has not been authorized by Sonance. Obtaining Authorized Service: To qualify for the warranty, you must contact your authorized Sonance Dealer/Installer or call Sonance Customer Service at (949) 492-7777 within the warranty period, must obtain a return merchandise number (RMA), and must deliver the Product to Sonance shipping prepaid during the warranty period, together with the original sales receipt, or invoice or other satisfactory proof of purchase.



©2018 Sonance. All rights reserved.

Sonance is a registered trademarks of Dana Innovations.

Due to continuous product improvement, all features and specifications are subject to change without notice.

For the latest Sonance product specification information visit our website: [www.sonance.com](http://www.sonance.com)

SONANCE • 991 Calle Amanecer • San Clemente, CA 92673 USA  
(949) 492-7777 • FAX: (949) 361-5151 • Technical Support: (949) 492-7777

[www.sonance.com](http://www.sonance.com)