

SONANCE

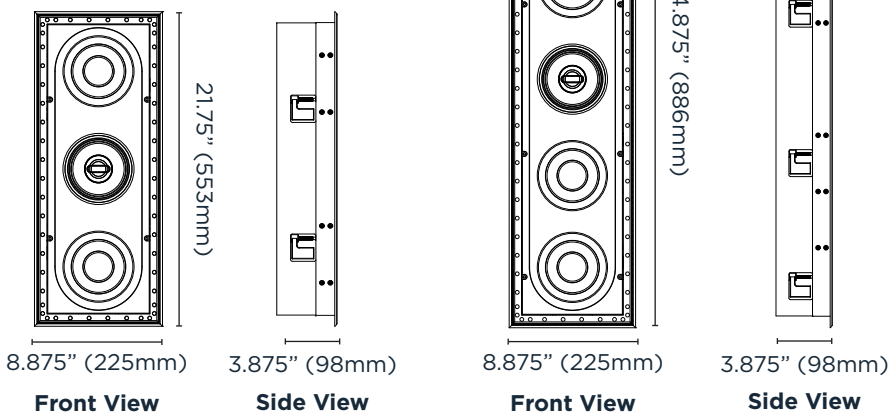
DATA SHEET

R1 | R2 REFERENCE IN-WALL LCR SPEAKER

TECHNICAL SPECIFICATIONS

	R1	R2
SKU	93344	93346
UOM	Each	Each
Tweeter	1" (25mm) Ceramic dome, Ferrofluid-cooled in an acoustic back chamber	1" (25mm) Ceramic dome, Ferrofluid-cooled in an acoustic back chamber
Midrange	5.25" (133mm) Carbon fiber/Rohacell laminated cone with a rubber surround	5.25" (133mm) Carbon fiber/Rohacell laminated cone with a rubber surround
Woofer	Two 5.25" (133mm) Carbon fiber/Rohacell laminated cones, rubber surrounds	Four 5.25" (133mm) Carbon fiber/Rohacell laminated cones with rubber surrounds
Frequency Response	70Hz - 30Hz +/-3dB	70Hz - 30Hz +/-3dB
Impedance	8 Ohms nominal; 6 Ohms minimum	6 Ohms nominal; 4 Ohms minimum
Power Handling	5 Watts minimum; 150 Watts maximum	5 Watts minimum; 200 Watts maximum
Sensitivity	90dB SPL (2.83V/1 meter)	92dB SPL (2.83V/1 meter)
Dimensions (WxHxD)	8.875" x 21.75" x 3.875" (225mm x 553mm x 98mm)	8.875" x 34.875" x 3.875" (225mm x 886mm x 98mm)
Cut-Out Dimensions (WxH)	7.5" x 20.5" (191mm x 521mm)	7.5" x 33.5" (191mm x 851mm)
Shipping Weight	19 lbs (8.6 kg)	29 lbs (13.2 kg)

DIMENSIONAL DRAWINGS



ASSOCIATED PRODUCTS

R1 R1SUR Flex Bracket /Each	92690
R2 R2SUR Flex Bracket /Each	92691

LIMITED FIVE (5) YEAR WARRANTY Sonance warrants to the first end-user purchaser that this Sonance-brand product ("Product"), when purchased from an authorized Sonance Dealer/Distributor, will be free from defective workmanship and materials for the period stated above. Sonance will at its option and expense during the warranty period, either repair the defect or replace the Product with a new or remanufactured Product or a reasonable equivalent. For more details please refer to the product manual.

©2021 Sonance. All rights reserved. Sonance is a registered trademarks of Dana Innovations. Due to continuous product improvement, all features and specifications are subject to change without notice. For the latest Sonance product specification information visit our website at www.sonance.com.

SONANCE • 991 Calle Amanecer • San Clemente, CA 92673 USA • Phone: (949) 492-7777 • Fax: (949) 361-5151 • Technical Support: (949) 492-7777 • www.sonance.com 08.11.2021

SONANCE

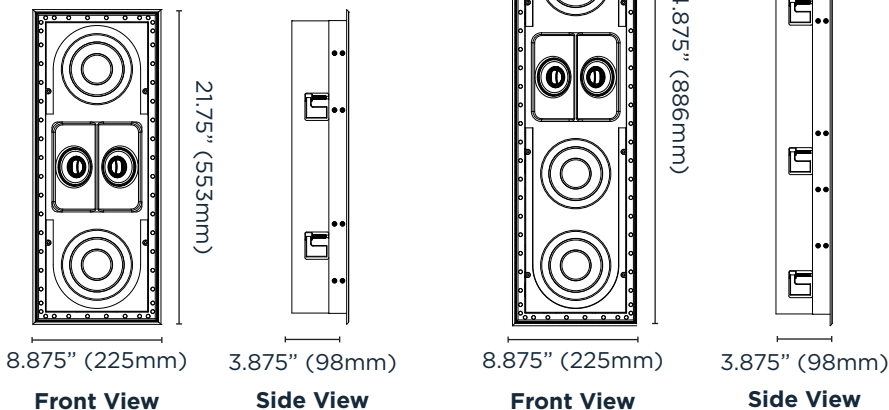
DATA SHEET

R1SUR | R2SUR REFERENCE IN-WALL SURROUND SPEAKER

TECHNICAL SPECIFICATIONS

	R1SUR 93345	R2SUR 93347
SKU	93345	93347
UOM	Each	Each
Tweeter	Two 1" (25mm) Ceramic dome, Ferrofluid-cooled in an acoustic back chamber	Two 1" (25mm) Ceramic dome, Ferrofluid-cooled in an acoustic back chamber
Midrange	Two 3" (76mm) Carbon fiber/Rohacell laminated cone with a rubber surround	Two 3" (76mm) Carbon fiber/Rohacell laminated cone with a rubber surround
Woofers	Two 5.25" (133mm) Carbon fiber/Rohacell laminated cones, rubber surrounds	Four 5.25" (133mm) Carbon fiber/Rohacell laminated cones with rubber surrounds
Frequency Response	70Hz - 30Hz +/-3dB	70Hz - 30Hz +/-3dB
Impedance	8 Ohms nominal; 6 Ohms minimum	6 Ohms nominal; 4 Ohms minimum
Power Handling	5 Watts minimum; 150 Watts maximum	5 Watts minimum; 200 Watts maximum
Sensitivity	90dB SPL (2.83V/1 meter)	92dB SPL (2.83V/1 meter)
Dimensions (WxHxD)	8.875" x 21.75" x 3.875" (225mm x 553mm x 98mm)	8.875" x 34.875" x 3.875" (225mm x 886mm x 98mm)
Cut-Out Dimensions (WxH)	7.5" x 20.5" (191mm x 521mm)	7.5" x 33.5" (191mm x 851mm)
Shipping Weight	19 lbs (8.6 kg)	29 lbs (13.2 kg)

DIMENSIONAL DRAWINGS



ASSOCIATED PRODUCTS

R1 R1SUR Flex Bracket /Each	92690
R2 R2SUR Flex Bracket /Each	92691

LIMITED FIVE (5) YEAR WARRANTY Sonance warrants to the first end-user purchaser that this Sonance-brand product ("Product"), when purchased from an authorized Sonance Dealer/Distributor, will be free from defective workmanship and materials for the period stated above. Sonance will at its option and expense during the warranty period, either repair the defect or replace the Product with a new or remanufactured Product or a reasonable equivalent. For more details please refer to the product manual.

©2021 Sonance. All rights reserved. Sonance is a registered trademarks of Dana Innovations. Due to continuous product improvement, all features and specifications are subject to change without notice. For the latest Sonance product specification information visit our website at www.sonance.com.

SONANCE • 991 Calle Amanecer • San Clemente, CA 92673 USA • Phone: (949) 492-7777 • Fax: (949) 361-5151 • Technical Support: (949) 492-7777 • www.sonance.com 08.11.2021