

# REFERENCE IN-CEILING SPEAKERS

## R1C | R1CSUR QUICKSTART GUIDE



### Box Contents

- (1) Quickstart Guide
- (1) Reference in-ceiling speaker (R1C or R1CSUR)
- (1) Speaker cut-out template

### Before Installation

1. Determine the location for the speaker.
2. Perform an obstruction survey using a stud finder to be certain that there are no obstructions.
3. Position the included cutout template where the speaker is to be located and pencil an outline on the wall. The cut-out for the R1C and R1CSUR is 12 3/8" x 12 3/8" (314mm x 314mm).
4. Cut the mounting hole using a keyhole or drywall saw and run the speaker wires from the mounting hole to the amplifier location.

**NOTE: CONSULT LOCAL BUILDING CODES BEFORE RUNNING SPEAKER WIRES THROUGH WALLS.**

### Installation

Sonance Reference Series speakers feature an integral RotoLock® mounting system for quick mounting directly into existing walls.

1. Strip 1/4" – 1/2" (6mm – 12mm) of insulation from each speaker lead.
2. Twist the strands or tin the exposed wire with solder to ensure that there are no stray strands.
3. The R1C and R1CSUR in-ceiling speakers come with a safety retention mount on the back of the speaker. To ensure safety, loop a lanyard through the safety retention mount bracket and secure the other end to the ceiling joist (see Figure 1).

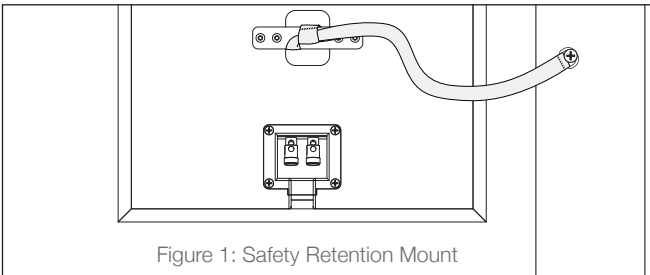


Figure 1: Safety Retention Mount

**NOTE: STRAY STRANDS THAT TOUCH EACH OTHER CAN CAUSE A SHORT-CIRCUIT THAT CAN DAMAGE THE AMPLIFIER.**

**NOTE: CONSULT LOCAL BUILDING CODES BEFORE SECURING THE LANYARD TO ANY STRUCTURE.**

3. The speaker's terminals are spring-loaded. Push the top of each terminal down to open the connector and insert the exposed wires.
4. The speaker's positive spring terminal is labeled with a red dot; the negative spring terminal is labeled with a black dot.
5. Make sure all the RotoLock® toggle feet are retracted so that they are tucked within the speaker frame. Insert the speaker into the hole in the wall (see Figure 2).

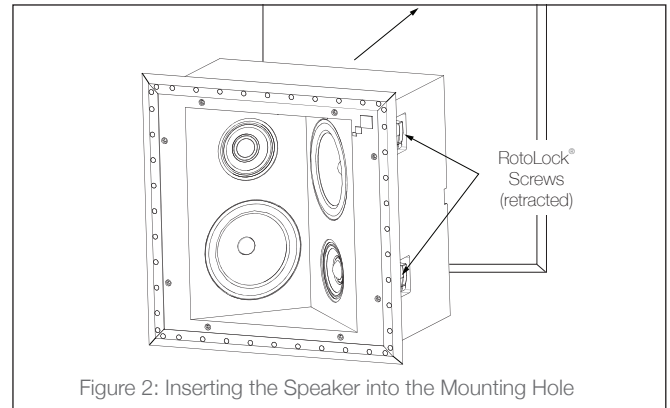


Figure 2: Inserting the Speaker into the Mounting Hole

**NOTE: THE ROTOLOCK® SYSTEM CAN ACCOMMODATE A WALL MATERIAL THICKNESS OF 1 1/4" (32MM) WITH THE TOGGLE FOOT CAP REMOVED THE SYSTEM CAN ACCOMMODATE A WALL MATERIAL THICKNESS OF 1 7/8" (48MM).**

6. When installing into double drywall or other thicker wall materials, you may need to remove part of the two-piece toggle feet. Use a small screwdriver to gently release the two locking levers (see Figure 3).

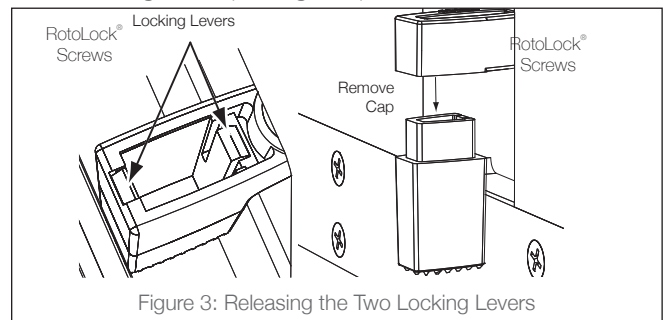


Figure 3: Releasing the Two Locking Levers

7. Tighten the screws on the front of the speaker baffle. The RotoLock® toggle feet will automatically rotate into position and begin clamping the speaker (see Figure 4). When you notice resistance on the screws the speaker has been clamped successfully.

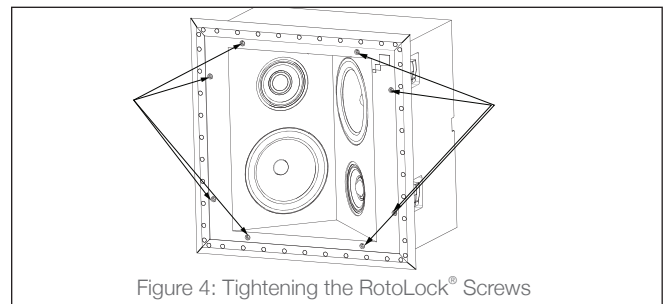


Figure 4: Tightening the RotoLock® Screws

**IMPORTANT: ALWAYS USE LOW-TORQUE SETTINGS; NEVER OVER TIGHTEN. NOTE: ADJUSTING THE TENSION OF THE ROTOLOCK® CLAMPS SO THAT THE SPEAKER FRAME IS FLAT WILL HELP ENSURE THAT THE GRILLE CONTACTS THE WALL ALL THE WAY AROUND THE SPEAKER FOR A PROPER FIT.**

8. The micro-trim grille is held in place by several small, powerful magnets on the speaker frame. Place the grille against the speaker and the magnets will hold it firmly in place. When properly installed, the grille trim should make contact with the wall all the way around the speaker.