

# BANDPASS SUBWOOFER THINLINE (VP)

## BPS6 TL QUICKSTART GUIDE FOR USE WITH VISUAL PERFORMANCE SERIES BANDPASS CONNECTORS



### Box Contents

- (1) Quickstart Guide
- (1) Bandpass Subwoofer with port tube
- (1) Cardboard mounting template

### MOUNTING SCREWS & WASHERS:

- (4) 5/16" x 3" lag screws
- (4) 5/16" washers

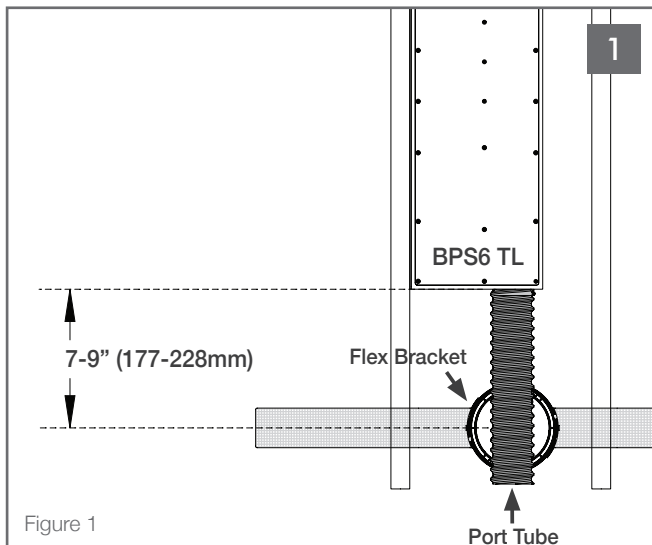


Figure 1

Determine the location of the 3" flex bracket and subwoofer. Ensure there is adequate space to accommodate the subwoofer and port tube within the 2 x 4 stud bay or joists, allowing at least 7-9" from the front edge of the BPS6 TL to the location of the flex bracket opening. (See Figure 1).

**NOTE: IF IT IS NOT POSSIBLE TO LOCATE THE BPS6 TL SUBWOOFER 7-9" AWAY FROM THE FLEX BRACKET OPENING, EXTRA HOSE MATERIAL (UP TO 3") MAY BE REMOVED. WHILE IT IS OKAY TO SHORTEN THE HOSE, NEVER EXTEND THE HOSE LENGTH.**

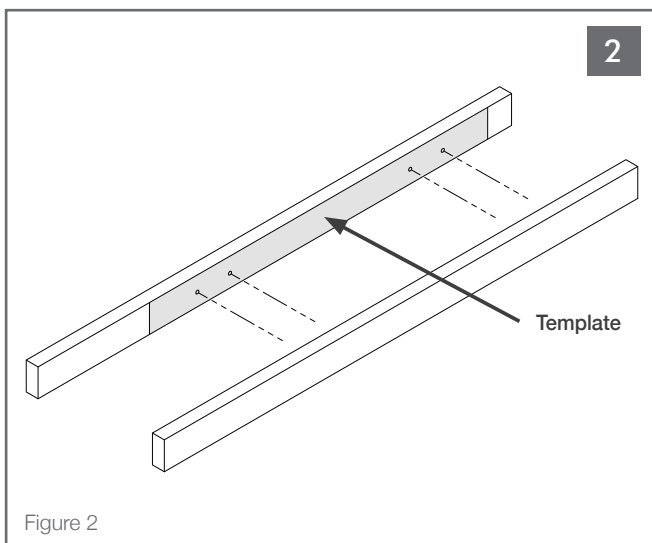


Figure 2

Place the subwoofer mounting template on the side of a 2 x 4 stud or joist and drill four 1/4" (6mm) holes through the locations shown on the mounting template. (See Figure 2).

**NOTE: DRILLING FROM THE INSIDE OF THE STUD BAY IS RECOMMENDED TO ENSURE THAT THE HOLE LOCATIONS MATCH THE SUBWOOFER SCREW LOCATIONS.**

**NOTE: BE SURE THAT THE SUBWOOFER TEMPLATE IS FLUSH WITH THE EDGE OF THE STUD OR SLIGHTLY RECESSED.**

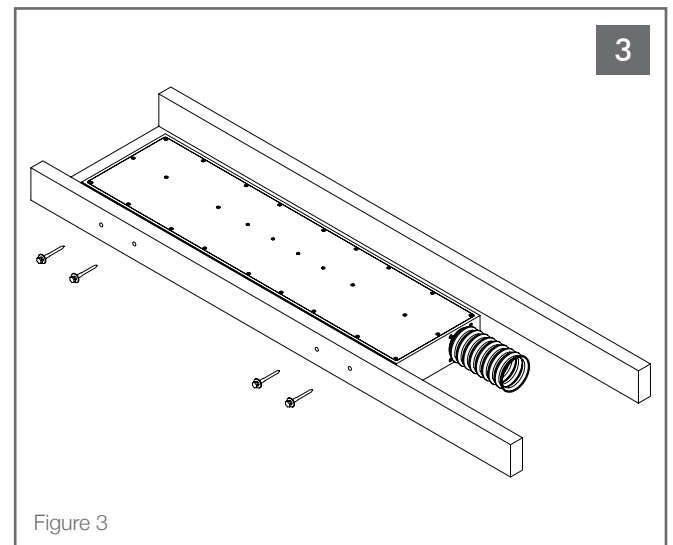


Figure 3

Hold the side of the BPS6 TL Subwoofer with the rubber damping pad up against the side of the 2 x 4 stud and install the four lag screws and washers to secure the BPS6 TL Subwoofer in place. (See Figure 3).

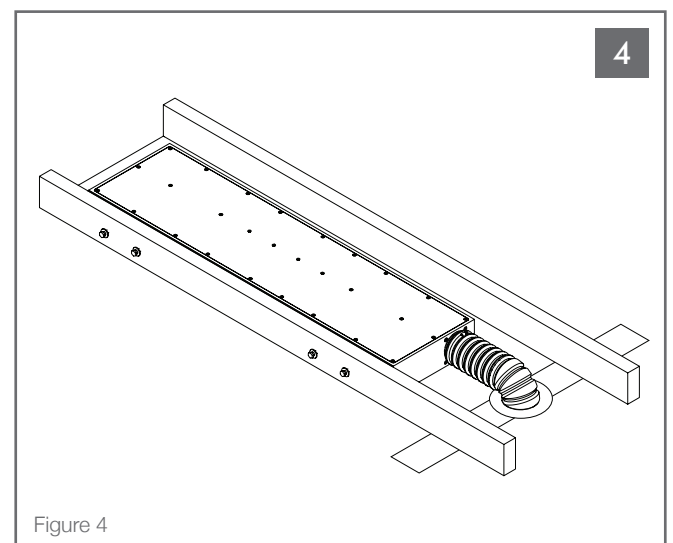
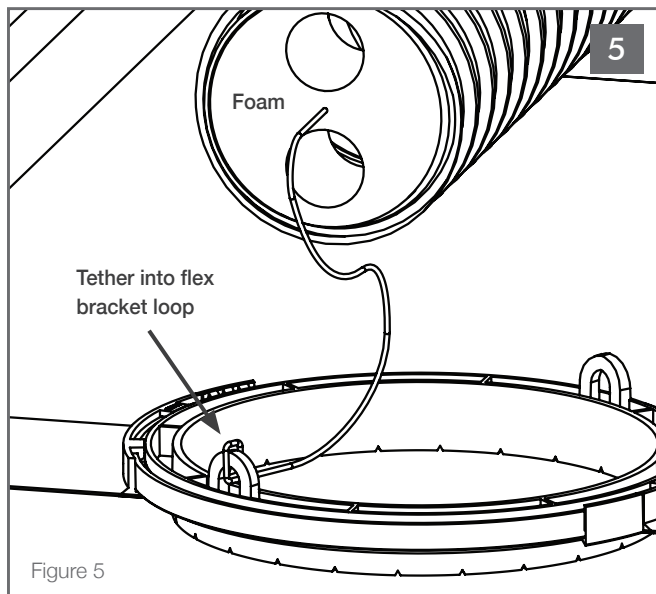
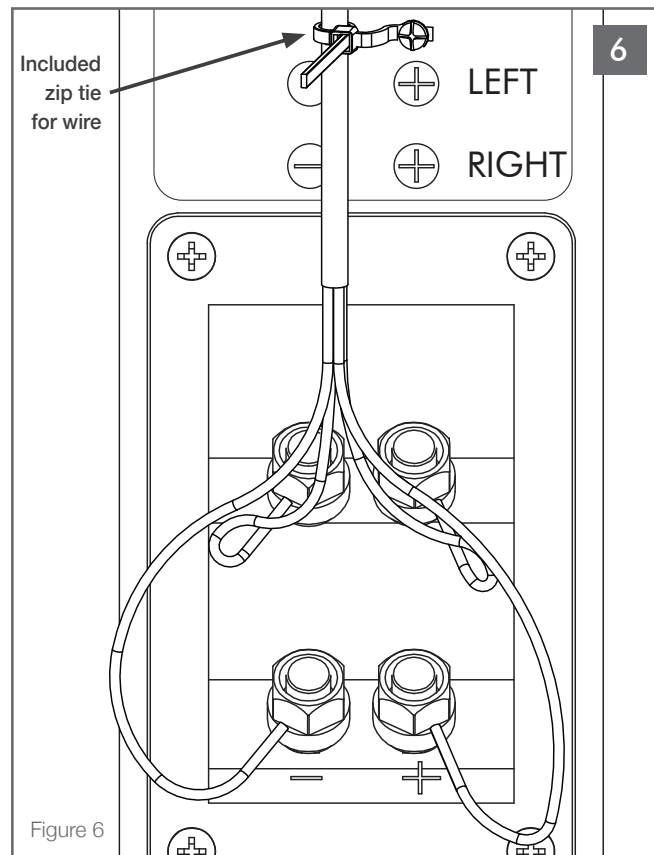


Figure 4

Attach the 3" flex bracket to the 2 x 4 stud or joists in the predetermined location. Check that the mounted distance allows for the port tube to pass through the bracket with at least 4 ribs of the tube exposed. (See Figure 4).



The BPS6 TL ships with a tether inserted into the end of the port tube. Use the tether to guide the port tube into the flex bracket. Loop and pull the tether all the way until port tube lies firmly on the flex bracket. Tie the tether into a knot. This process ensures that other tradespersons won't infringe on the port tube assembly area. (See Figure 5).



Attach the **four conductor speaker wire** to the input terminals; positive wires to red terminals and negative wires to black terminals. Run a signal test using an amplified program material for at least 60 seconds. Secure the speaker wire to the zip tie attached to the subwoofer cabinet to prevent accidental removal. (See Figure 6).

**NOTE: PORT TUBE CONTAINS FOAM PLUG WITH A TETHER, MAKE SURE PRESSURE LEVELS DON'T EXPEL THE FOAM PLUG AND TETHER.**

After drywall and paint is complete, install bandpass connector (sold separately; Sonance model VPBPC3R TL SKU# 93334) to the port tube through the flex bracket.

**For Visual Performance bandpass connector installation details visit [www.sonance.com/in-wall-in-ceiling/bps6-tl](http://www.sonance.com/in-wall-in-ceiling/bps6-tl)**