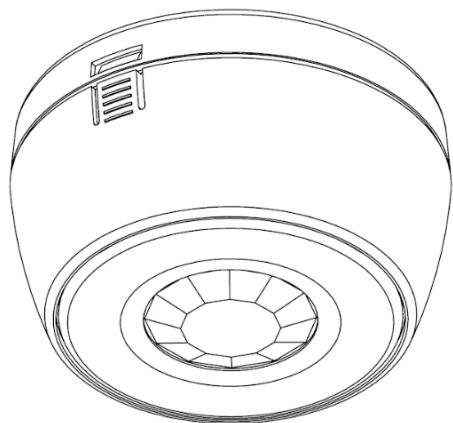


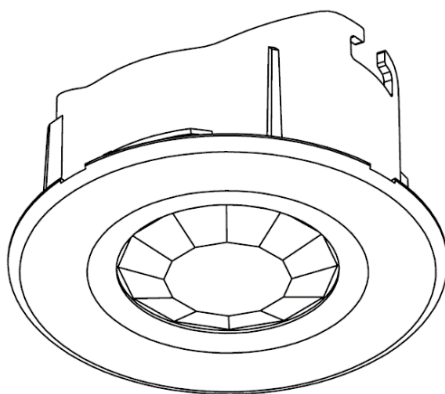
Datasheet XD100 (PD100, MD100)

EAE KNX Presence/Motion Detector

All you need is EAE

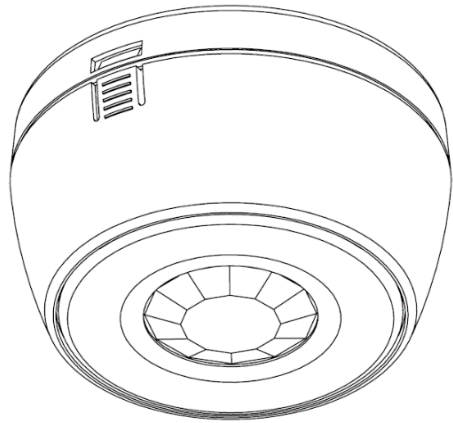


XD100 Surface Mount

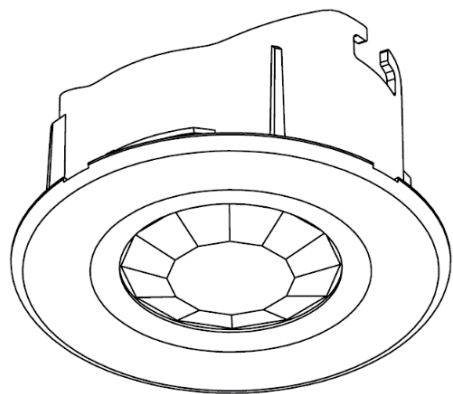


XD100 Flush Mount

General Description



XD100 Surface Mount



XD100 Flush Mount

- XD100 KNX Presence Detector is ideal for interior rooms such as medium to large-size offices, corridors, classrooms, conference and meeting rooms, parking buildings, warehouses and sport halls. Detector is available in two models; PD100 Presence Detector and MD100 Motion Detector with flush mounted and surface mounted versions.
- Constant light function can be applied in dependence of presence information thanks to integrated brightness sensor and movement sensor. XD100 regulates the ambient brightness to a defined brightness value.
- Lighting can be set to different brightness levels with corridor function based on occasions such as "motion detection, after movement, no action". Stay-on time can be changed the by end user.
- Air-conditioning and ventilation systems can be controlled by independent HVAC channel.
- Presence information can be sent to presence monitoring applications by independent presence channel.
- The EAE KNX XD100 (PD100 and MD100) can either used as a standalone device or master-slave device (parallel operation with other sensors) according to necessity of project.
- XD100 enables fully-automatic and semi-automatic lighting control.
- Test and calibration mode allows for easy installation.
- The device does not require an additional power supply.

ORDER CODES:

48083	PD100 Flush Mount
48084	MD100 Flush Mount
48171	PD100 Flush Mount (IP44)
48172	MD100 Flush Mount (IP44)
48085	PD100 Surface Mount
48086	MD100 Surface Mount

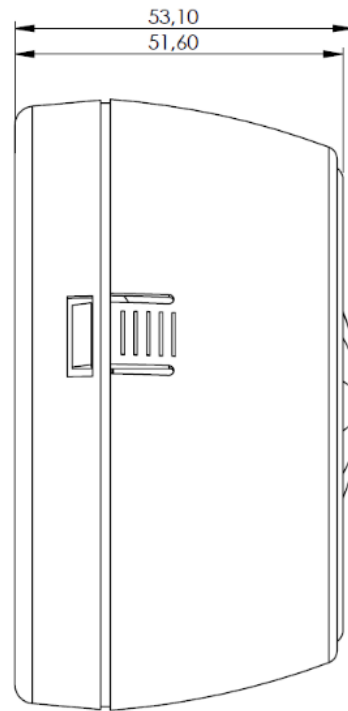
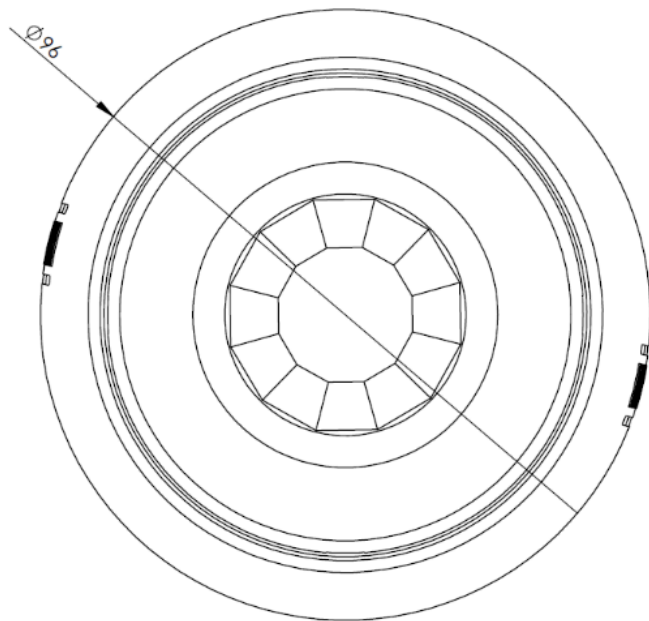
Datasheet XD100 (PD100, MD100)

EAE KNX Presence/Motion Detector

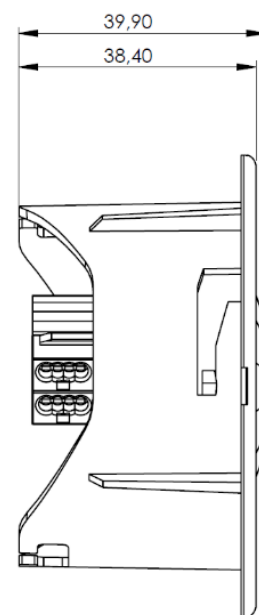
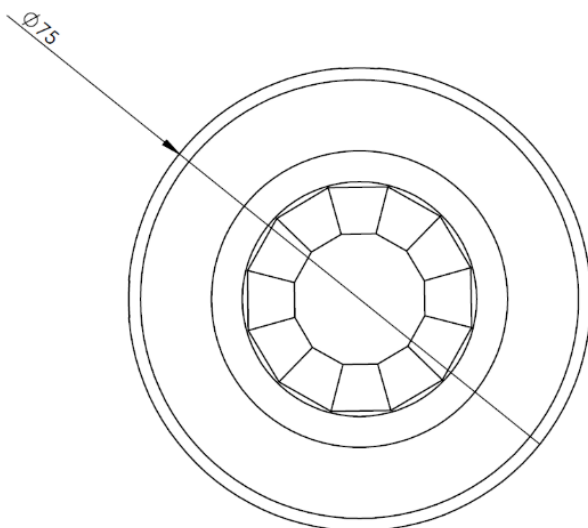
Technical Data

Type of protection	IP 20 IP 44 (Optional) Check Order Codes	EN 60 529
Safety class	II	EN 61 140
Power supply :	Voltage	21V... 30V DC, KNX line
	Current consumption	< 10 mA
Application Area	Interior rooms	
Sensor Type	Passive infrared	
Installation	Location	Ceiling
	Recommended height	2,5m - 5m
Detection	Diameter (at height of 2,5m)	9m movement detection (MD100) 6m movement detection (PD100)
	Area	64 m2
	Angle	360°
	Light level	10 – 1000 lux
Additional channels	Brightness, presence channel, HVAC channel	
Parallel operation	Master/Master, Slave/Master	
Operating elements	LED (red) and button	For physical address
Temperature range	Ambient	-5° C + 45° C
	Storage	-25° C + 55° C
	Transport	-25° C + 70° C
Dimensions	42.5 x 42,5 x 12 mm	
Weight	0.06 kg	
Box	Plastic, polycarbonate, colour white	
CE	In accordance with the EMC guideline and low voltage	
Application program	Communications objects	Number of addresses(max)
	44	254

Scale Drawings



Drawing 1: XD100 Surface Mount



Drawing 2: XD100 Flush Mount