

## General Features

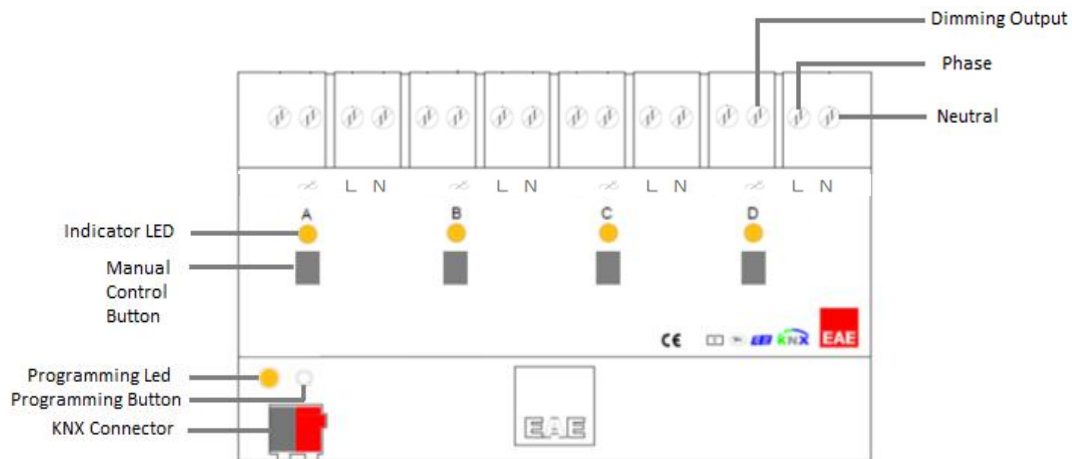
EAE KNX Universal Dimmer Actuator has dimming functions which can be used by phase dimming only. The device can be operated manually via push button over enclosure. Each channel can be programmed via ETS5. UD104 has 4 independent channels and 2 channel grouping features. UD106 has 6 independent channels and 3 channel grouping features.

Channel features of dimming actuator;

- Staircase lighting
- Forced Operation
- Channel Grouping (merging outputs for higher power loads)
- Scene Function
- Electrical Measurements (Voltage)
- Error Detection (Load Error, Short-Circuit, Over-current, Over-voltage, Under-voltage, Over-heating )

All features can be used separately or together. Please consider that those features will be processed depending on priority. Bus voltage fails and returns behavior can be set via ETS configuration.

## Functional Elements and Connections



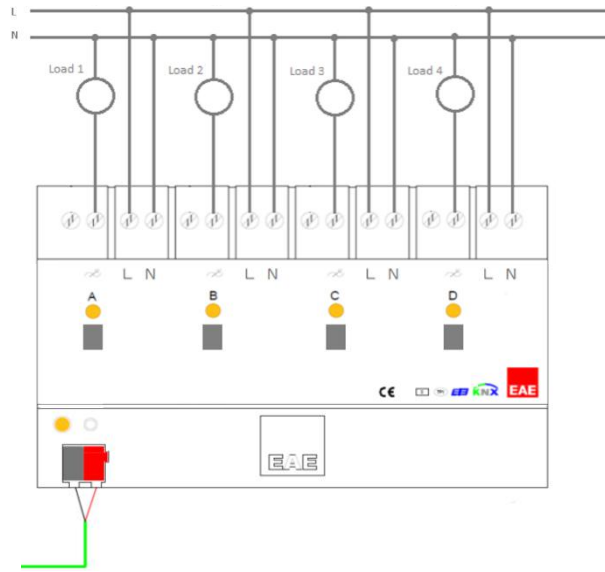
## Technical Data

<b>Protection Type</b>	IP 20	EN 60 529
<b>Safety class</b>	II	EN 61 140
<b>KNX Power supply</b>	Voltage	21V... 30V DC, SELV
	Current consumption	< 10 mA
<b>Mains Supply</b>	Min...Max	185... 300V AC
<b>Connections</b>	Screw terminals	0,5...3,31 mm <sup>2</sup> solid and stranded wire 0,5...3,31 mm <sup>2</sup> stranded wire with ferrule 0.5 Nm
	Max. tightening torque	0.5 Nm
	KNX	Bus connection terminal
	Switching & Dimming	4-6(UD104 or UD106) outputs, Trailing and Leading-Edge Dimming
<b>Output</b>	Cable length	Max. 200 meters
	Max. switching power	300 W/VA per channel 300 W/VA halogen, incandescent lamps per channel 300 W/VA Inductive transformers per channel
		300W/VA Phase-cut dimmable LED lamps per channel Multiplying the output power by parallel connection of channels.
		120W/VA Phase-cut dimmable constant voltage *LED drivers.
<b>Type of contact</b>	Electronically controlled	
<b>Installation</b>	35mm mounting rail	EN 60 715
<b>Operating elements</b>	LED (red) and button	For physical address programming
	On/Off Button	For Switching/Dimming lights
<b>Temperature range</b>	Ambient	-5° C + 45° C
	Storage	-25° C + 55° C
<b>Humidity</b>	Max. air humidity	85 % no moisture condensation
<b>Dimensions(UD104)</b>	L x W x H	90 x 144 x 66 mm
	Width in units	8 modules
	(18 mm modules)	66 x 180 x 90 mm
<b>Dimensions(UD106)</b>		10 modules
<b>Box</b>	Plastic, polycarbonate, colour grey	
<b>CE</b>	In accordance with the EMC guideline and LV directives	
<b>Electrical Installations</b>		EN 60 669-2-1
<b>EMC requirements</b>		EN 63 044-5-2

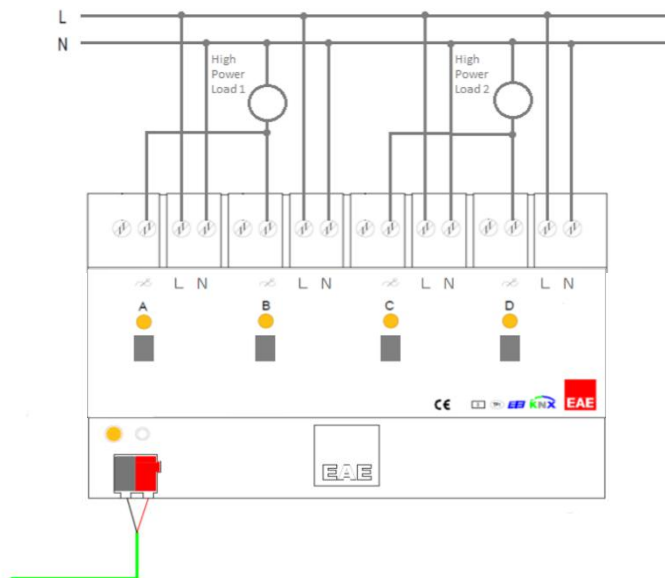
**NOTE:** Device default physical address is 15.15.255. In order to configure switch actuator, ETS application file “.knxprod” is needed. It’s possible to download the file on EAE website. ETS is required for programming the device. Parameter settings and related group addresses can be changed by ETS. Learn more by reading ETS help file.

\*It is a common situation on constant voltage LED drivers to draw more current when dimmed. 120W/VA maximum power value should be considered over whole dimming range to determine the peak power value.

Connection Diagram



^^ Single Channel Control ^^



^^ Grouped Channel Control ^^

Technical Drawings

