

Datasheet SW108 and SW104

EAE KNX Switch Actuator

All you need is EAE



General Description

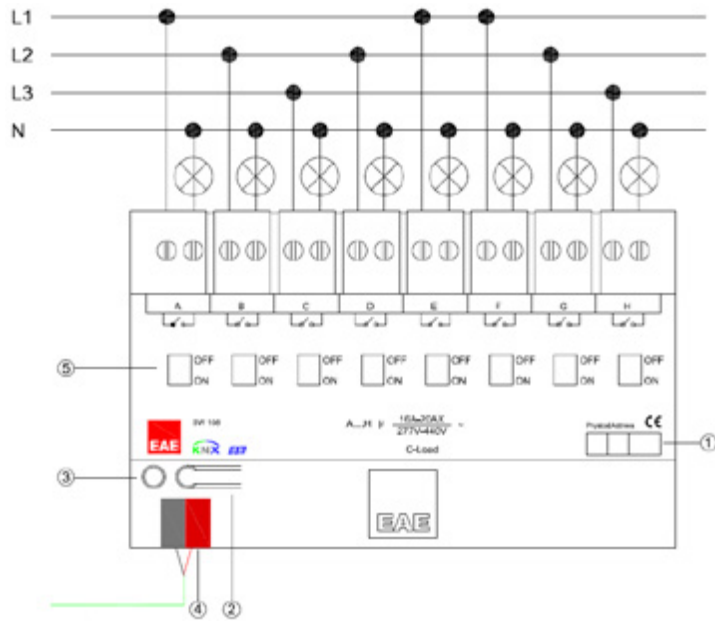


- Staircase
- External logic
- Internal logic
- Priority
- Threshold
- Operating hour
- Sweep
- Eight and four independent channels which can be parameterized with ETS3/ETS4.
- Suitable for switching resistive, capacitive and inductive loads as well as fluorescent lamp loads to EN 60 669.
- Manual operation feature for each channel. The relay can be switched On/Off with slide switches (No feedback to the bus).
- Following function list provides
- Each channel can actualize any of these functions separately.
- Does not require an additional power supply.
- Changeable behaviour after voltage return, voltage failure and ETS program.

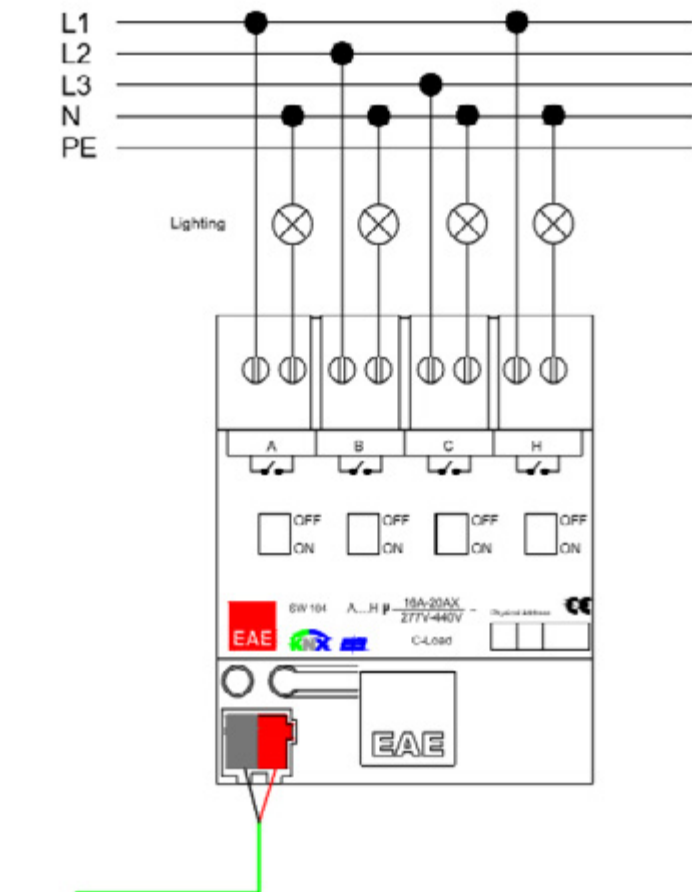
Technical Data

| | | | |
|----------------------------|--|--|----------------------------|
| Type of protection | IP 20 | EN 60 529 | |
| Safety class | II | EN 61 140 | |
| Power supply : | - Voltage | 21V... 30V DC, SELV | |
| | - Current consumption | ≤ 10 mA | |
| External supply | - | - | |
| Connections | - Screw terminals | 0,5...4 mm ² solid and stranded wire 0,5...2,5mm ² stranded wire with ferrule | |
| | - Max tightening torque | 0.8 Nm | |
| | - KNX | Bus connect terminal | |
| Output | - Number | SW108 - 8 output SW104 - 4 output | |
| | - Switching voltage | 277/440V AC; 50/60 Hz | |
| | - Switching capacity 277 V AC | 16A / AC 1 | |
| | - Fluorescent lighting load to EN 60 669-1 | 20 AX/250 VAC | |
| Output life | - Mechanical life | > 3 x 10 ⁶ | |
| Type of contact | - Potential-free, bistable | | |
| Installation | - 35mm mounting rail | EN 60 715 | |
| Operating elements | - LED (red) and button | For physical address | |
| Temperature range | - Ambient | -5° C + 45° C | |
| | - Storage | -25° C + 55° C | |
| | - Transport | -25° C + 70° C | |
| Humidity | - max. air humidity | 95 % no moisture condensation | |
| Dimensions | Width W in mm | SW108 - 65,5 x 144 x 89mm | |
| | Width W in units (18 mm modules) | SW104 - 65,5 x 90 x 89 mm 8 modules / 4 modules | |
| Weight | SW108 - 0.45 kg | | |
| | SW104 - 0.15 kg | | |
| Box | Plastic, polycarbonate, colour grey | | |
| CE | In accordance with the EMC guideline and low voltage | | |
| Application program | Communications objects | Number of addresses(max) | Number of assignments(max) |
| | 122 | 253 | 253 |

Connection Example



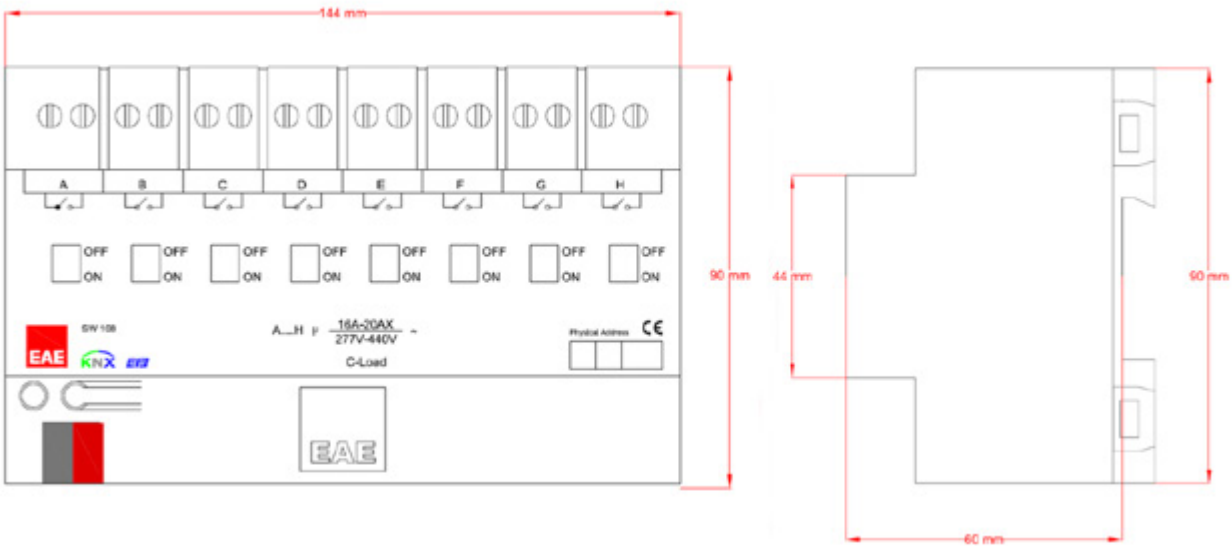
SW108



SW104

Scale Drawings

SW108



SW104

